

KUFU

DRAWER SYSTEM

Smart Thinking. A Better Solution.



**WORLD'S MOST ADVANCED
QUICK-RELEASE MODULAR DRAWER SYSTEM**

The **KUFU Drawer System** delivers industry-leading modular storage solutions for Utes, 4WDs, vans, wagons, trailers, and service vehicles. Designed to keep vehicles organised, equipment protected, and workflow efficient, the KUFU Drawer System is trusted by tradespeople, fleet operators, emergency services, and serious tourers alike.

ADR Crash-Test Compliant - ADR42/05 General Safety Requirements & ADR69/00 Full Frontal Crash Protection Total load capacity 300kg - 150kg load capacity inside each drawer.

Two Models. One Standard of Strength.

PREMIUM

Built with a full composite outer shell and 3mm aluminium top, integrated internal and task LED lighting for enhanced visibility in all conditions – ideal for high load requirements, commercial fleets, remote operations, and touring applications where access at night matters.

ECONO

Delivers core functionality and rugged reliability at exceptional value – sharing the same composite base, with a weight reduction from an aluminium outer shell and Marine Hexa Ply top offers modular compatibility to the system.

All KUFU Drawer System drawers arrive **fully assembled from the factory**, dramatically reducing installation labour, improving dealer throughput, and eliminating assembly errors.



CONTENTS

4	Universal Mounting Platform System
4	KUFU Drawer System Connectivity
4	Award-Winning. Globally Proven.
5	KUFU Drawer System Features
6	KUFU Drawer System PREMIUM
8	KUFU Drawer System ECONO
9	Cargo Slides
10	Accessories
14	Customer Builds
15	About Umhauer Products Australia

UNIVERSAL MOUNTING PLATFORM SYSTEM

The KUFU Drawer System mounting platforms are **not vehicle-specific**, giving the system a unique advantage in adaptability and fleet deployment.

Dual Cab Utility Beds:

- 1400mm platform (minimum bed length 1445mm – Japanese, Chinese & US dual cabs)
- 1700mm platform (Minimum bed length 1745mm LWB US & Japanese extra cabs)

Tray Backs, Canopies & Trailers:

- Three platform lengths – 1050mm, 1400mm and 1700mm – offers endless options and configurations.

SUV & Wagon Vehicles:

- Universal 1050mm mounting platform with vehicle-specific bracket and fastener kits.
- No-drill fitment – bolts into existing OEM mount points.

This universal approach simplifies inventory, speeds installation, and allows drawers to transfer between vehicles – a major advantage for fleets and evolving vehicle platforms.

KUFU DRAWER SYSTEM CONNECTIVITY

Every vehicle installation requires a Mounting Platform kit, and each Drawer requires a Catch-and-Click™ Bracket Kit. Drawers and Slides connect to the Catch-and-Click™ Kit.

Removable – fast click in or click out patented feature – Catch-and-Click™, no tools required, fit, swap or remove drawer in seconds.



AWARD-WINNING. GLOBALLY PROVEN.

Recipient of the 2023 Australian Good Design Award.

The KUFU Drawer System is trusted globally, with distribution across:

- Australia
- USA
- Chile
- Europe
- Baltic States
- Scandinavia



Designed for harsh environments, commercial workloads, Arctic climates, and expedition travel, the KDS is built to perform where it matters most.

FEATURES

CATCH-AND-CLICK™

At the heart of the system is the patented Quick-Release Catch-and-Click™ mechanism, allowing drawers to be removed, reconfigured, or transferred between vehicles in seconds – tool free. Unlike fixed systems, KUFU ensures you are never locked into one configuration. As vehicles change, your storage system adapts.

INCREMENTAL DRAWER LOCKING

Our composite base has built-in positive locking points every 100mm, eliminating the drawer slamming in or out with its maximum load and secure on any angle. Also provides access to partially open drawers, keeping other drawer contents under cover and protected.

LED LIGHTING (PREMIUM)

Equipped with an automatic fade-out internal LED and switch-controlled external task lights, the drawer system illuminates drawer contents and outdoor surroundings effectively.

CONSTRUCTION AND LOAD RATING (PREMIUM)

Corrosion and vibration resistant, the Premium drawer features a tough 3mm aluminium checker plate top for exceptional rigidity and impact resistance. Side panels and internal structure use a durable fibre-filled resin composite, delivering superior strength without excessive weight.

Combined with the KUFU patented slide system and reinforced architecture, it provides stable operation under heavy load and proven durability in harsh trade, fleet, mining, emergency and expedition environments – setting the benchmark for strength-to-weight modular vehicle storage.

Available in 3 heights 180mm, 280mm and 460mm, optimised for tools, pack-out boxes, and equipment.

FULLY SEALED (PREMIUM)

Designed for external use, it features gaskets and venting to shield moving parts from dust and moisture, ensuring durability in harsh conditions. The system can be washed externally with water and soap, ensuring ease of maintenance. Protect your gear from dust, water, and theft.

SECURITY

PREMIUM and ECONO models feature a lockable design that safeguards your gear from theft. Unlike conventional drawer systems, the KUFU Drawer System design places the locking mechanism at the rear of the drawer, making forced entry from the front virtually impossible. Even if the handle or front panel is damaged, the drawer remains securely locked.

ADR CRASH-TEST COMPLIANT

ADR42/05 General Safety Requirements & ADR69/00 Full Frontal Crash Protection Total load capacity 300kg. 150kg load capacity inside each drawer.

PREMIUM

KUFU DRAWER SYSTEM PREMIUM DRAWER

Built for external fitment in harsh environments - trusted globally.

Sealed all-weather construction, high load capacity, incremental drawer lock-out, integrated LED lighting, and quick-release modular design deliver secure, reliable storage where failure is not an option.

- Military and fleet tough design with class leading features
- All weather design - Sealed to protect valuable equipment and Firearm transport safe.
- Internal and external LED lighting*
- Incremental lock out of drawer - prevents drawer run away (OH&S Compliant)
- Catch-and-Click™ quick-release design, no tools required (Patent - EU, UK, AU, NZ, USA)
- ADR Crash Test Compliant ADR42/05 and ADR69/00
- Drawer Full extension and 150kg load rated.
- Top load rate across twin drawers - 1000kg
- Optional side fill in panels.
- Stackable - 3 Height options: 180mm, 280mm and 460mm
- Length options: 1400mm and 1700mm



*PREMIUM Model Only. Power bank not included. Can be purchased separately.



PREMIUM 180 MK2

IIG002116 : 1400 x 510 x 180 mm (L x W x H)

IIG000755 : 1700 x 510 x 180 mm (L x W x H)



PREMIUM 280 MK2

IIG002118 : 1400 x 510 x 280 mm (L x W x H)

IIG000767 : 1700 x 510 x 280 mm (L x W x H)



PREMIUM 460 MK2

IIG002198 : 1400 x 510 x 460 mm (L x W x H)

IIG000779 : 1700 x 510 x 460 mm (L x W x H)

ECONO

KUFU Drawer System ECONO is a lightweight modular storage drawer system for touring and everyday use, with a 100kg drawer rating and 400kg top load, designed for recreational touring and general storage use.

It retains the core KUFU Drawer System DNA with incremental drawer lock-out and quick-release modular mounting, while prioritising weight savings and simplicity.

ECONO Key features:

- Lightweight design for improved payload efficiency
- Incremental lock out of drawer, approx. 100mm increments – (OH&S Compliant)
- Quick release design, No Tools required (Patent – EU, UK, AU, USA)
- Full extension and 100kg load rated.
- ADR Crash Test Compliant ADR42/05 and ADR69/00
- Weather resistant design – No external carpet
- Side wings fill in panels are available for most major models.

The KUFU Drawer System adapts to your vehicle, your job, and your journey.

ECONO 280

IIG001497 : 950 x 510 x 280 mm (L x W x H)

IIG001500 : 1400 x 510 x 280 mm (L x W x H)



CARGO SLIDES

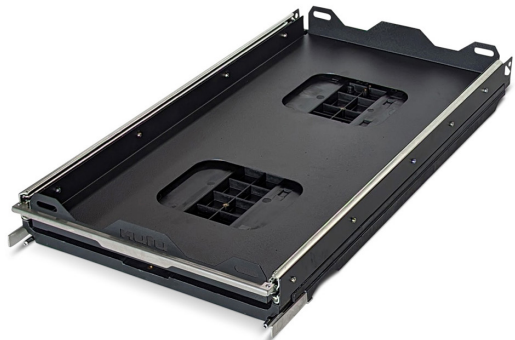
KUFU Drawer System Cargo Slides enhance performance and practicality with heavy-duty cargo and fridge slides, protective cargo mats, and modular drawer organisers. Designed for strength, seamless integration, and harsh conditions, they maximise storage efficiency while maintaining safety, compliance, and adaptability.



HEAVY-DUTY CARGO SLIDE 1400

IIG001589

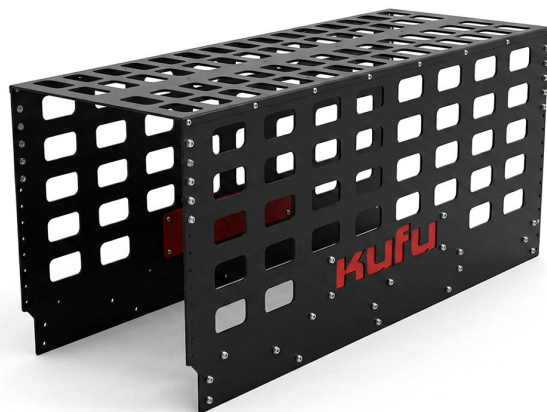
Designed to support 150kg loads at full-length extension, the KUFU Heavy-Duty Cargo Slide 1400 offers exceptional strength and stability.



FRIDGE SLIDE 950

IIG001406

Purpose-built to integrate seamlessly with the KUFU Drawer System, the KUFU Fridge Slide delivers smooth, controlled extension under load. Engineered with reinforced runners and 100kg load capacity, it provides safe, practical access to refrigeration.



CARGO CAGE 1400

IIG002248

Size: 1400 x 510 x 460 – 625 mm (L x W x H)

Purpose-built to integrate seamlessly with the KUFU 1400 Cargo Slide, the KUFU Cargo Cage delivers secure, structured protection for your fridge and stored equipment.

Manufactured from precision-formed 2mm aluminium and finished in a durable textured powder coat, the cage features a signature red KUFU branding panel for a bold, premium look. The adjustable top section provides a versatile “one size fits all” solution or can be set to create a level platform when paired with a 460mm drawer or a stacked 180mm + 280mm drawer configuration.

Designed to prevent shifting loads and falling gear, the KUFU Cargo Cage protects your fridge investment while maintaining clean integration within the KUFU modular system.

Strong. Secure. Purpose-built.

ACCESSORIES

KUFU Drawer System Accessories enhance performance and practicality with heavy-duty cargo and fridge slides, protective cargo mats, and modular drawer organisers. Designed for strength, seamless integration, and harsh conditions, they maximise storage efficiency while maintaining safety, compliance, and adaptability.



CARGO MAT

IIG002225

1400 x 1020 x 5 mm (L x W x H)

The KUFU Drawer System Cargo Mat is a heavy-duty, precision-fit protective solution designed to handle harsh environments and real-world use. Manufactured from a durable rubber compound with block-tread grip, it protects while reducing load movement and vibration. Recessed bolt-down points allow secure integration with KUFU Drawer System.



DRAWER ORGANISERS

IIG002254 : 180 : 370 x 340 x 75 mm (L x W x H)

IIG002255 : 280 : 435 x 340 x 95 mm (L x W x H)

IIG002256 : 460 : 435 x 340 x 195 mm (L x W x H)

Bring order to every drawer, the Drawer Organisers are manufactured from durable TPU-lined ripstop canvas with a heavy-duty clear TPU top and internal divider. Designed to perfectly suit the KUFU Drawer's internal dimensions, it allows quick visual identification while protecting and separating your gear.



JERRY CAN HOLDER

IIG001688

The KUFU Jerry Can holder fits most readily available 20L jerry cans, including steel and poly versions. The lockable lid is adaptable and can be locked at each side of the body of the holder to suit your installation.

The tubular locks can be keyed alike when ordering multiples.

Loads of mounting holes allows you to mount and install the KUFU Jerry Can Holder exactly where you want it. Fabricated from 2mm alloy sheet and powder coated in a tough textured black finish.

Included is 60cm rubber adhesive strip to fit to the inside of the holder so that your jerry can does not rub or rattle.

External Dimensions: 370 x 200 x 500 mm (L x W x H)

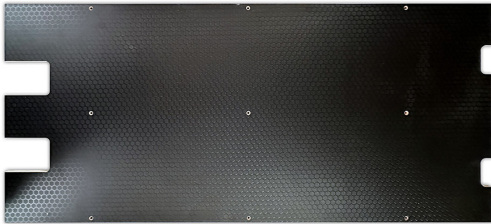
Internal Dimensions: 350 x 185 x 480 mm (L x W x H)



JERRY CAN HOLDER DOUBLE RACK KIT

IIG001841

Includes: Bracket set and hardware to install 2 x KUFU Jerry Can holders to Rhino Rack Pioneer, Rhino Rack SX / NG and Yakima Lock 'N' Load roof racks / platforms.



INFILL PANEL

IIG001831 : 950 MP

IIG001742 : 1400 MP

Infill panels are designed to drop into the mounting platform (MP) when drawer is removed and provides a clean flat infill, made from durable 12mm Hexa ply.

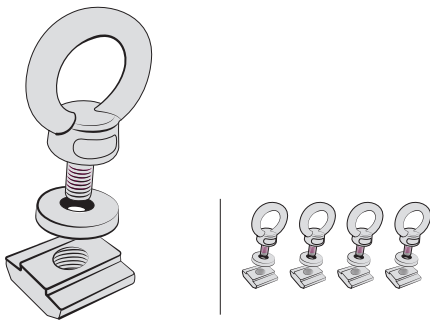


FIREARM TRANSPORT KIT

IIG001205 : 950 : 895 x 455 x 50mm (L x H x W)

IIG001204 : 1400 : 1345 x 455 x 50mm (L x H x W)

Quality Egg Shell dark grey foam insert with Velcro hook and loop tie down straps fixed into the composite tub for security. Available in 950mm and 1400mm lengths.



EYE BOLT TIE-DOWN KIT

IIG002216

M8 x 15mm thread, Eye I.D 21mm

Secure your load with confidence. The KUFU Eye Bolt Tie-Down Kit includes 4 x stainless steel M8 eye bolts with matching channel nuts, designed to integrate directly into the KUFU Drawer System. Providing strong, adjustable anchor points, it ensures equipment, fridges and cargo remain safely restrained in demanding touring, trade and fleet environments.



DRAWER DIVIDERS

IIG000104 : 180

IIG000105 : 280

IIG000106 : 460

KUFU Drawer Dividers partition and secure contents with multiple mounting positions, available in 180mm, 280mm and 460mm heights.

ACCESSORIES



STACKING KIT

IIG000786 : KDS PREMIUM MK1, Drawer Stacking Kit B320 / B0158

IIG002184 : KDS PREMIUM MK2, Drawer Stacking Kit B420 / B0164

IIG002253 : KDS ECONO, Drawer Stacking Kit B420 / B0167

The Single Drawer Mounting Rail Stacking Kit is for the installation and stacking of a KUFU Drawer System above another. A Stacking Kit contains all the fasteners required to stack your drawers. The Stacking Kit is assembled to the Catch-and-Click™ Bracket set to allow the fast fit and removal of KDS Drawers.

Ensure the drawer length below is longer or equal to the drawer being stacked above. Do not stack above 540mm total height.



SHORT DRAWER RAIL KIT

**IIG000785 :
KDS MK1, B311, Twin Short Drawer Mounting Rail Kit Type C B0172**

**IIG002192 :
KDS MK2, B400, Twin Short Drawer Mounting Rail Kit Type MC B0173**

**IIG002133 :
KDS MK2, B420, Single Rail Kit Type A, C, MC B0163**

**IIG002257 :
KDS MK1, B302, Twin Short Drawer Mounting Rail Kit Type A**

The Short Drawer Rail Kits are for installing shorter length drawers OR single drawer on a longer mounting platform. A Kit contains all the fasteners required, the Kit is assembled to the Catch-and-Click™ Bracket set to allow the fast fit and removal of KUFU Drawers.



TIE BRACKET KIT

IIG001200 : Mk1 - Top Tie Bracket Assembly Pair B0088

IIG002193 : Mk2 - Top Tie Bracket Assembly Pair B0089

The Tie Bracket Kit includes 2 Tie Brackets, channel nuts and bolts to attach the flush Drawer tops together to prevent excessive movement and provide another safety connection for a twin 460 or stacked installation.

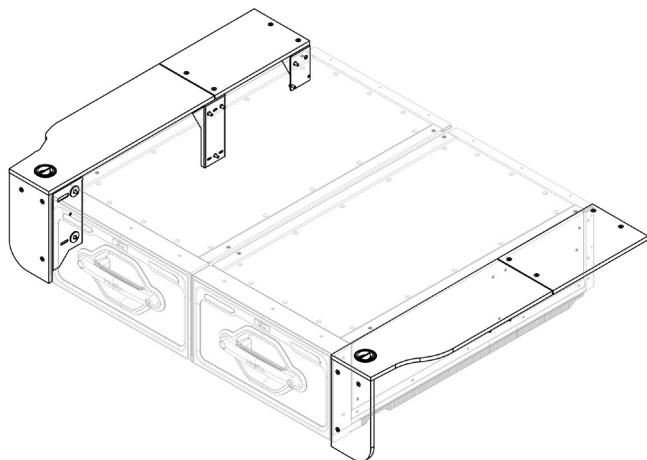
CATCH-AND-CLICK™ KIT

IIG000787 : Catch-and-Click™ Bracket Kit B0093

KUFU Drawer System Connectivity

Every vehicle installation requires a Mounting Platform kit, and each Drawer requires a Catch-and-Click™ Bracket kit. Drawers and Slides connect to the Catch-and-Click™ Kit.

Removable - fast click in or click out patented feature - Catch-and-Click™, no tools required, fit or remove drawer in seconds.



WING KITS

Featuring a quick release ring pull latch and made from Marine ply with a non-slip Hexa pattern, available in vehicle specific profiles for 280mm high ECONO or Premium models and a universal kit for when a custom trim is required for 280mm and 460mm high drawers. Refer to website for all available wing kit models.

CUSTOMER BUILDS



TOYOTA HILUX SR5

Shaun from STS and his Toyota Hilux SR5.

As a subterranean scanning professional, you can imagine just how precise, high-quality, and expensive the tools he carries must be.

And the KUFU Drawer System can keep it all safe and sound, organised, dry and dust free.

Shaun's late model Hilux has a full set of PREMIUM 1400 Drawers installed.



HYUNDAI STARIA LOAD

Hidden Technology carry a wide range of gear for commercial and domestic automation systems – from lighting, irrigation and air conditioning to audio and home theatre systems.

Finding a vehicle storage system that could carry the range of product and gear, yet be configurable to the changing needs was almost impossible.

The fit out includes the 3 sizes of the PREMIUM 1700 Drawers and 2 Heavy-Duty Cargo Slides.



TOYOTA LC200

Vinetech's Toyota LC200 using the KDS PREMIUM 280x950 Drawers and Wing Kit provided the base for the build.

Some very creative thinking with the left hand side wing customised to slide out and access gear and a control panel fixed on top between the EVAKOOL Drawer Fridge.



CANOPY INSTALLATION

All General Surveying returned to fit their latest fleet of Mitsubishi Tritons with the KUFU Drawer System – a smart, modular solution built for changing job demands.

Tool-free stacking and removal, rapid reconfiguration, and full ADR compliance deliver adaptable, efficient storage across the fleet.

ABOUT UMHAUER PRODUCTS AUSTRALIA

The Umhauer family has been associated with vehicle service and quality products since 1928.

The Umhauer family has been involved in automotive service and 4X4 product retail in the Geelong, Surf Coast and Bellarine region. It all began with Umhauer Service Stations offering old fashion service, and over the years expanding into Umhauer's Off-Road and Camping World.

Recently the Umhauer name is associated with innovative products being design engineered and assembled locally and exported to the world.

Kris Umhauer

Kris Umhauer
CEO & Founder





KUFU Drawer System

Designed and developed in Australia.
Australia Owned Certified #08416.

www.umhauer.com.au/kufu
sales@umhauer.com.au

Umhauer Products Australia
Rear of 153 Ash Road
Leopold VIC 3224 Australia

Design Registrations

AU 202110927, 202110924, 202110925, 202110926

EU 008654297-0001, 008654297-0002, 008654297-0003, 008654297-0004

UK 6175068, 6175069, 6175070, 6175071

Patents Pending

AU 2022201080, 2022201079

US 17/677,178

Patents

US 12,286,080, US D1,039,470 S, US D1,032,485 S, US D1,032,484 S, US D1,032,486 S

EU 4046872, 4063195



MARCH 2026

All information and specifications listed correct as of February 2026 subject to change. All enquiries contact sales@umhauer.com.au