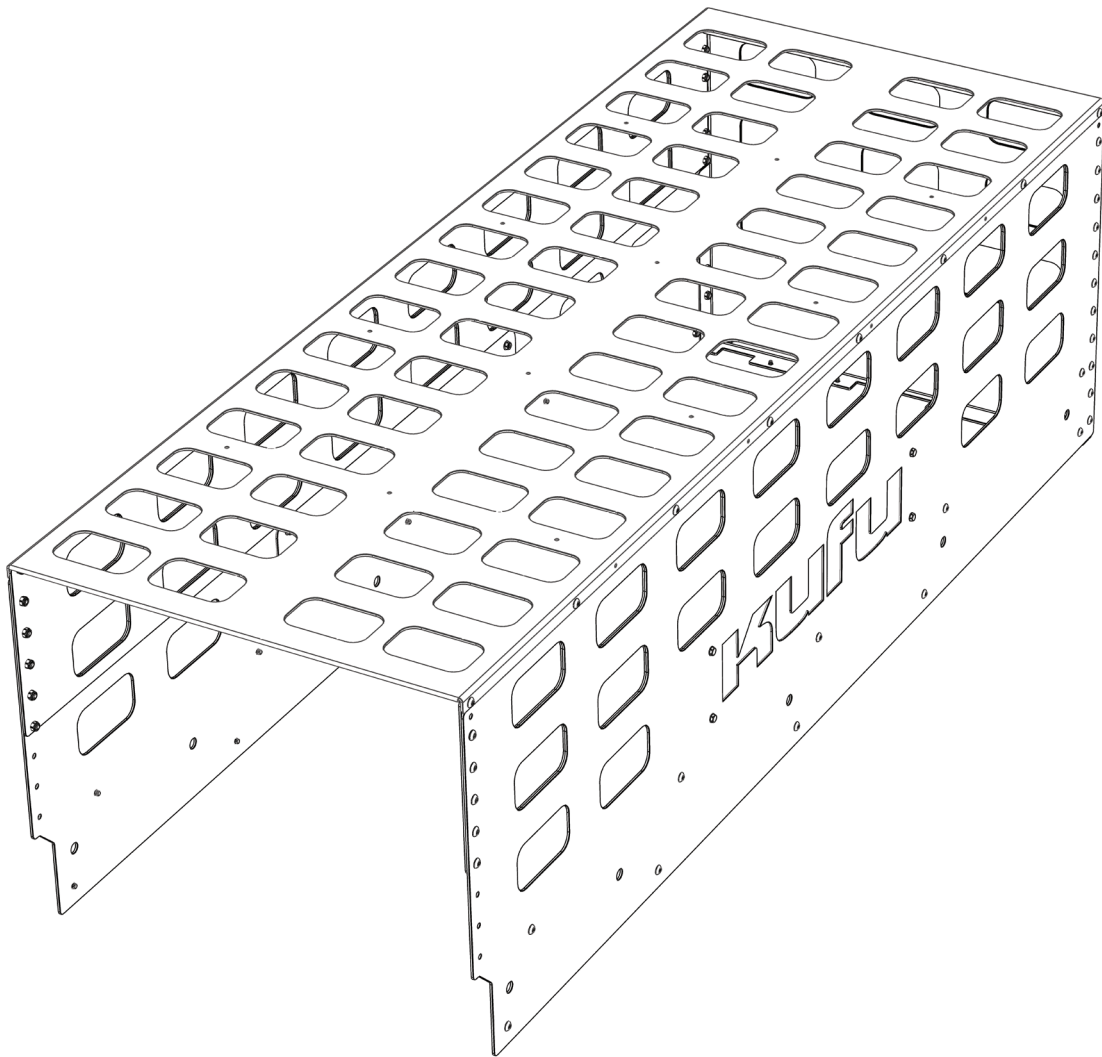




Installation Manual

KUFU Cargo Cage

Version: 01



Tools Required:

- Hex Drive or Allen Keyset
- Socket Set or Spanner set
- Tape Measure

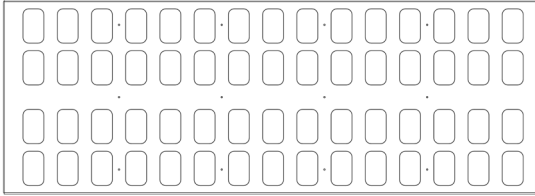
Contents of the Kit

KUFU Cargo Cage

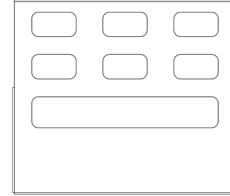
Part Name	Quantity
Lower Left Panel	1
Lower Right Panel	1
Upper Left Panel	1
Upper Right Panel	1
Roof Outer	1
End Cap Cargo	1

Fastener Pack

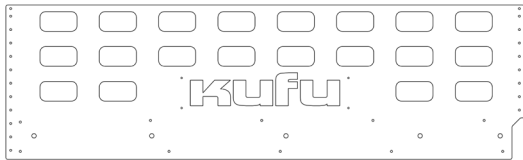
Part Name	Quantity
M4X6 Countersunk Screws	4
M4X10 Button Head Screws	8
M5x5 Button Head Screws	8
M5x6 Button Head Screws	8
M5x8 Button Head Screws	4
M5x10 Button Head Screws	48
M4 Washers	4
M4 Flange Nuts	8
M5 Nylock Nuts	52



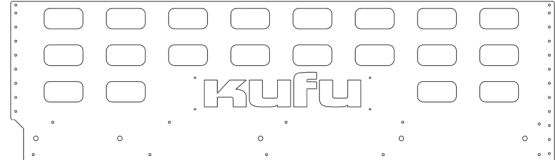
Roof Outer



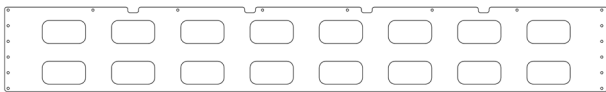
End Cap Cargo



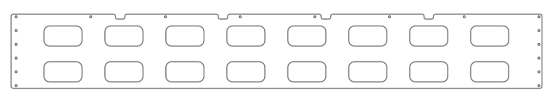
Lower Left Panel



Lower Right Panel



Upper Left Panel



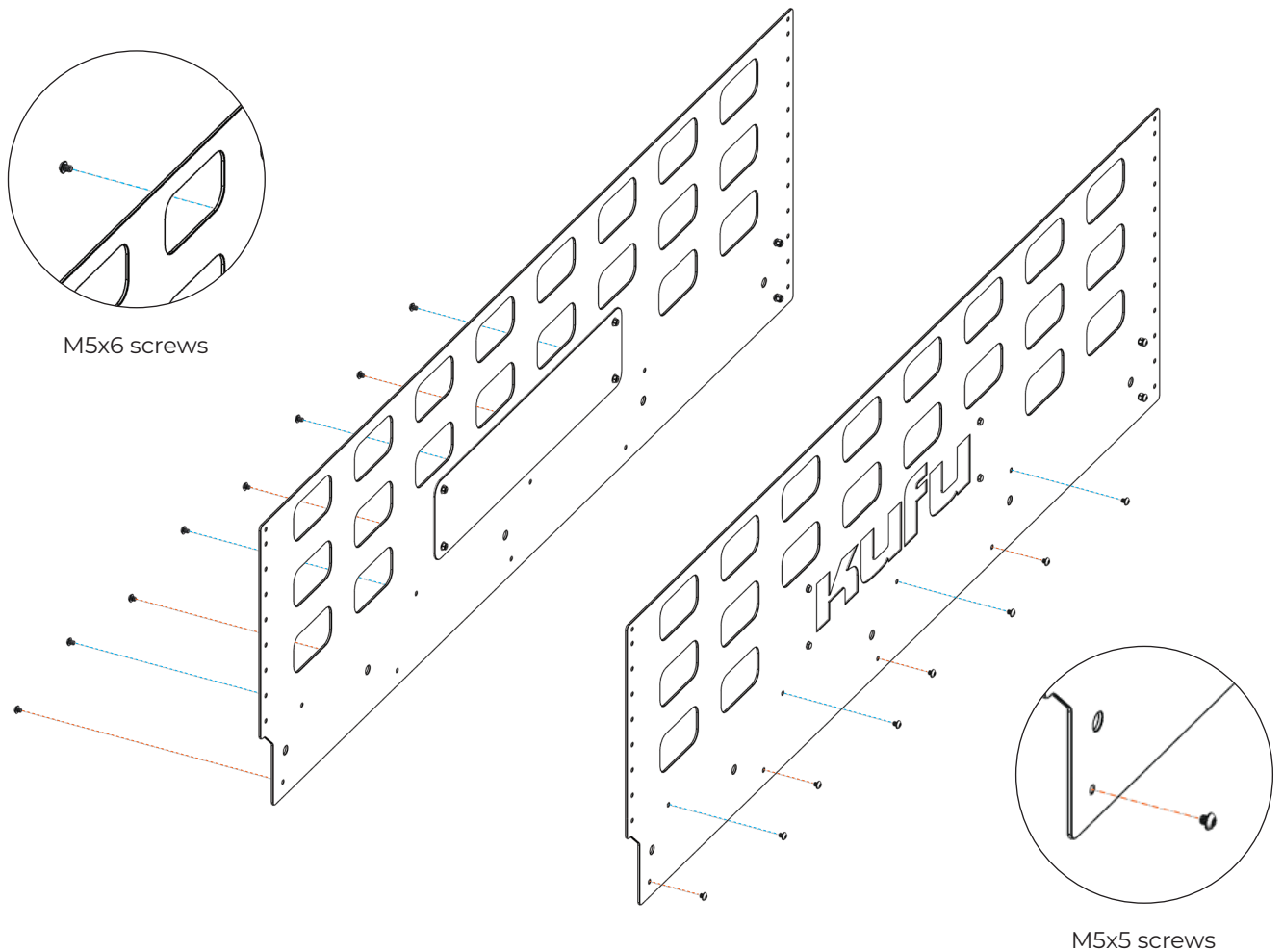
Upper Right Panel

STEP 1 - Unpack Components

1. Remove all mesh panels from the carton.
2. Remove the End Cap Cargo Cage and the installation kit.
3. Verify all fasteners are present and undamaged.

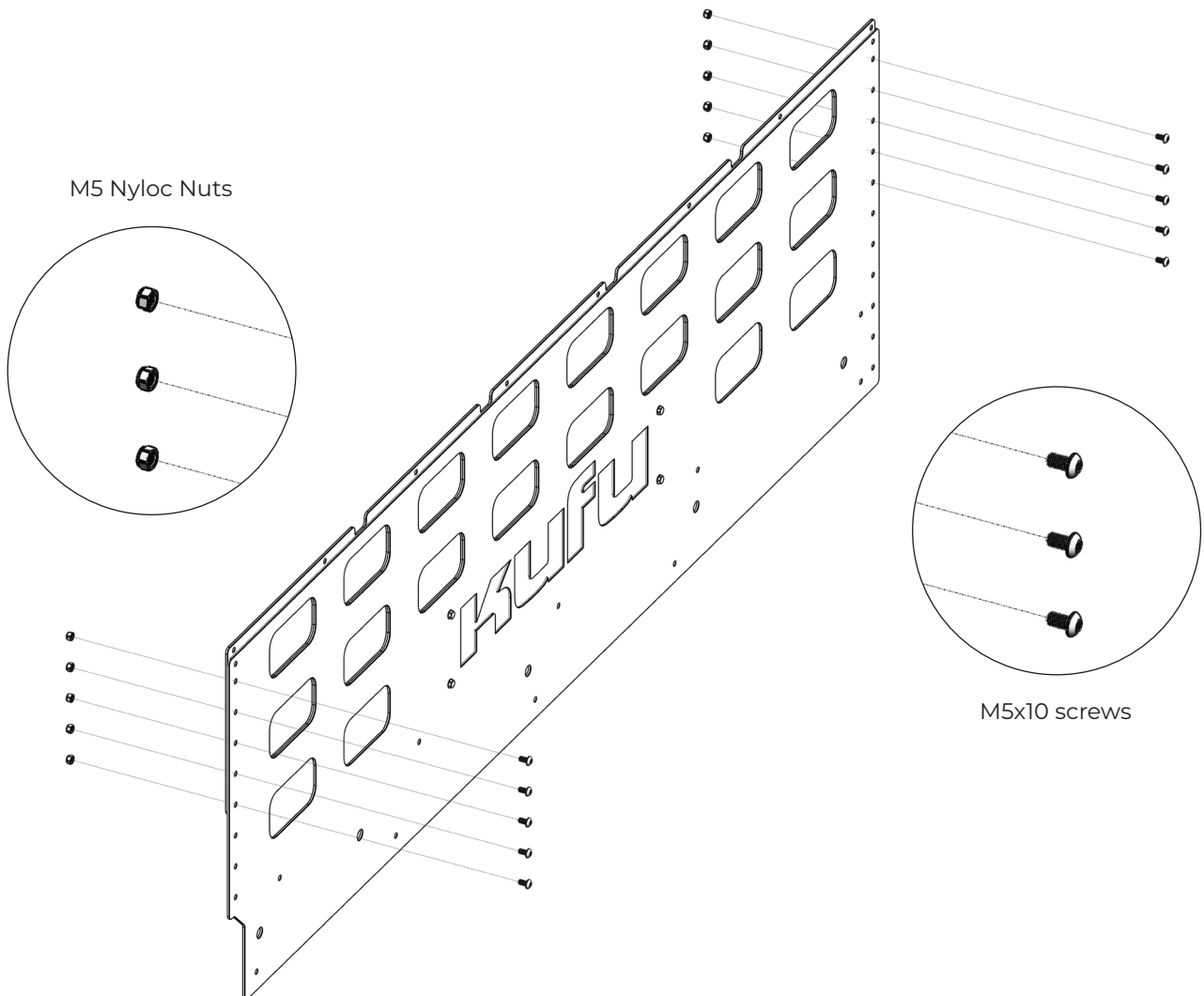
STEP 2 - Remove Rear Slide Brace Panel

1. Locate the rear slide brace panel on the slide assembly.
2. Remove the fasteners securing the rear slide brace panel.
 - M5x8 screws
 - M5 nuts
3. Carefully remove and retain the rear slide brace panel and fasteners, for future if returning the slide back to standard, i.e removing cage.



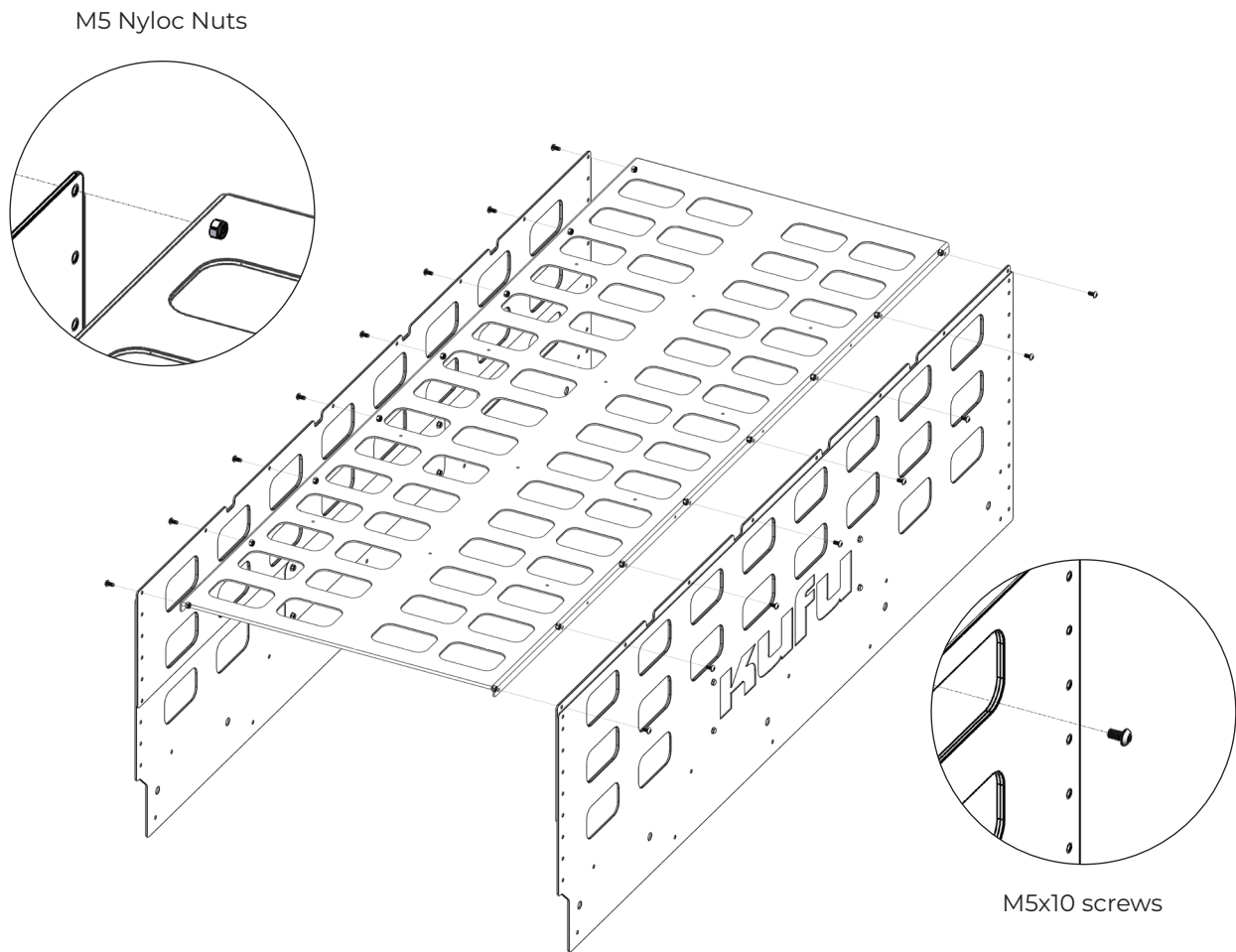
STEP 3 - Fix Side Outer Panels to Side Slide Brace Panels

1. Align the side outer panel fixing holes with the left and right side slide brace panels (already fixed to the slide).
2. Secure the side outer panels using:
 - M5x6 screws
 - M5x5 screws
3. Tighten evenly while maintaining vertical alignment.



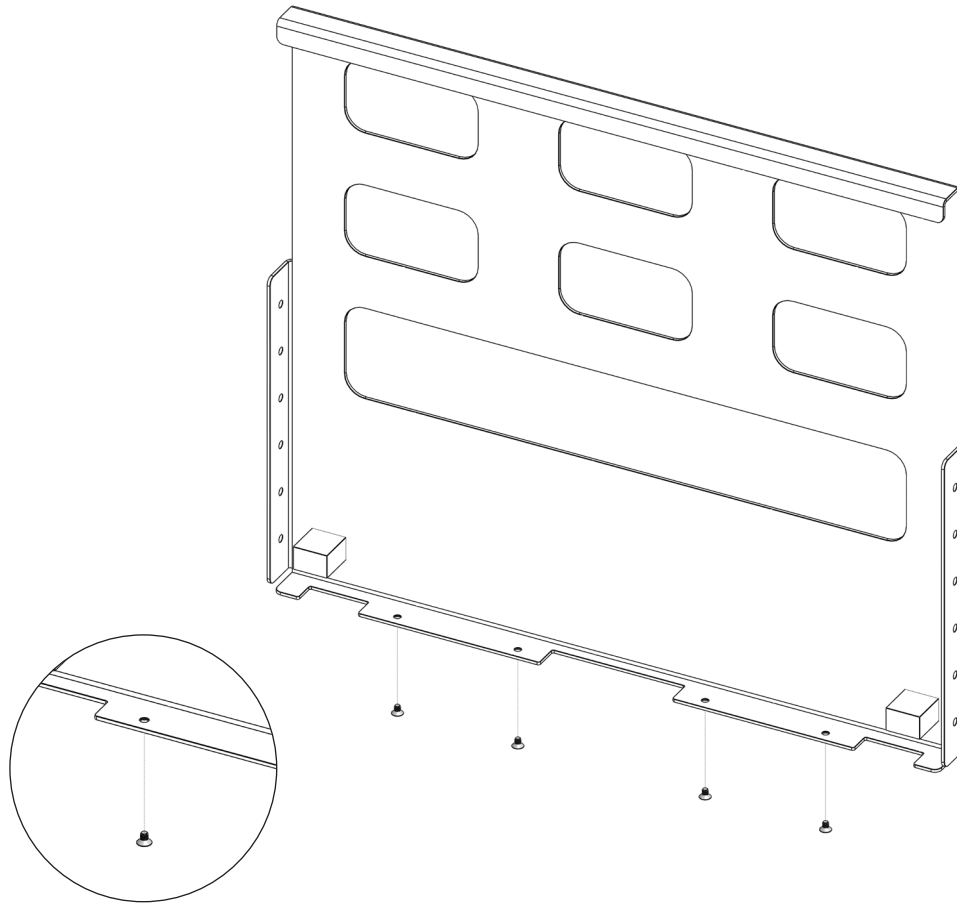
STEP 4 - Set Side Outer Panel Height

1. Measure the required height for the intended application.
2. Select the appropriate height setting on the side outer panels.
3. Assemble the upper and lower sections of each side outer panel to achieve the selected height.
4. Fix the height-adjustment sections together using:
 - M5 × 10 screws
 - M5 nylock nuts
5. Repeat for both left and right side panels.
6. Ensure both panels are set to the same height, then fully tighten.



STEP 5 - Install Roof Outer Panel

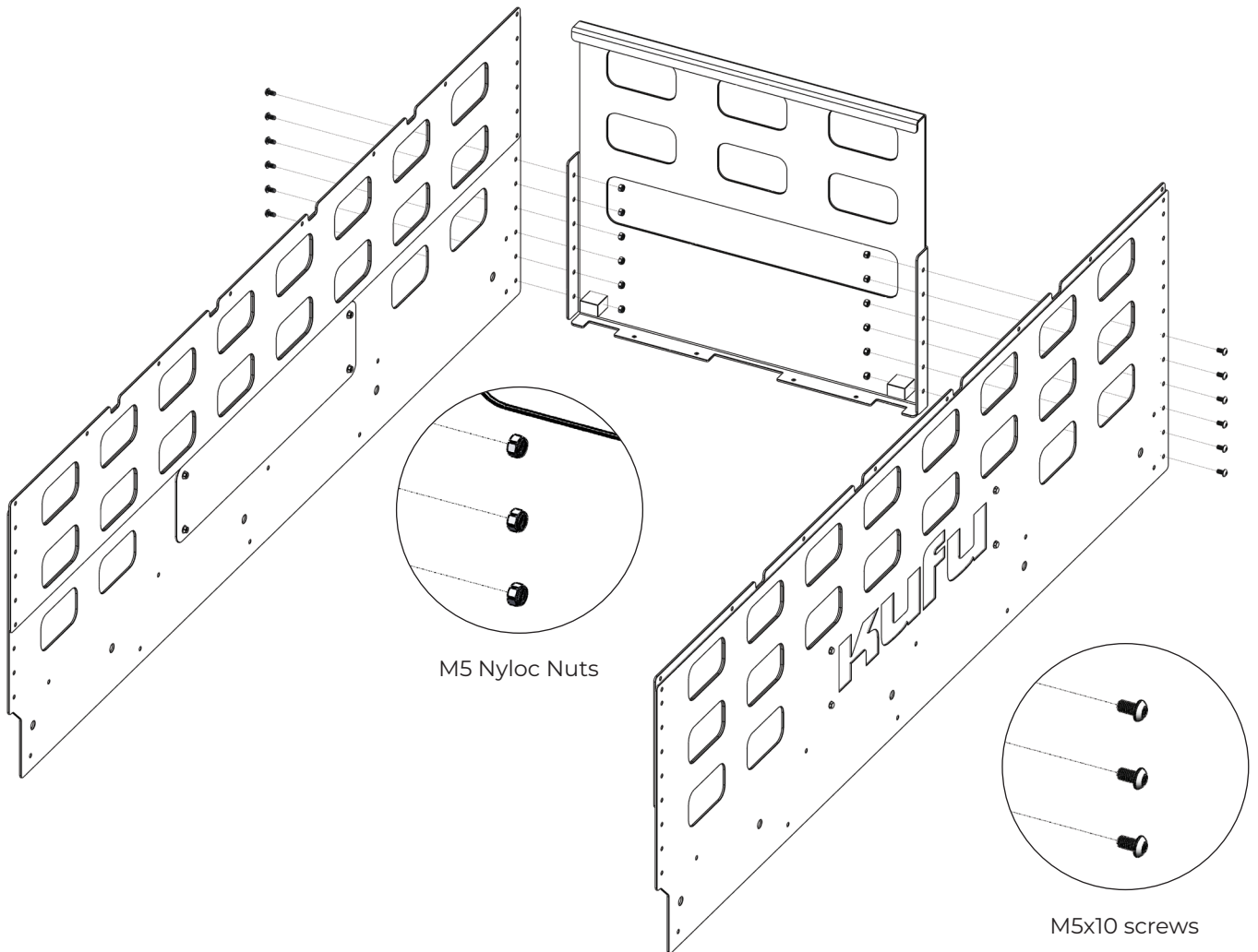
1. Position the roof outer panel on top of the assembled side panels.
2. Align all mounting holes.
3. Secure using:
 - M5x10 screws
 - M5 nylock nuts
4. Repeat for both left and right side panels.
5. Ensure both panels are set to the same height, then fully tighten.



M4x6 countersunk screws

STEP 6 - Install End Cap Cargo Cage

1. Position the End Cap Cargo Cage at the rear end of the slide assembly.
2. Align the mounting holes of the End Cap Cargo Cage with the rear slide fixing points.
3. Secure the End Cap Cargo Cage using:
 - M4 × 6 countersunk screws
4. Tighten evenly to ensure the cage is square and firmly seated.



STEP 7 - Fix Side Outer Panels to End Cap Cargo Cage

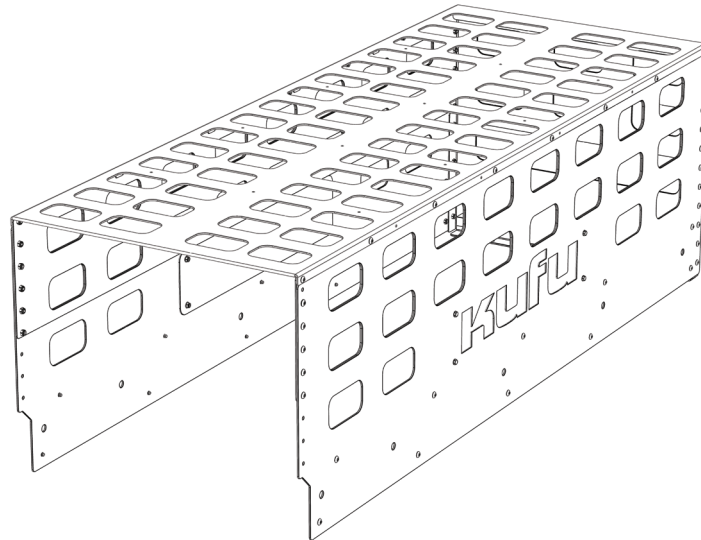
1. Position the assembled side outer panels against the End Cap Cargo Cage.
2. Align the side panel fixing holes with the End Cap Cargo Cage.
3. Secure each side outer panel using:
 - M5 × 10 screws
 - M5 nylock nuts
4. Tighten evenly while maintaining vertical alignment.

Step 8 - Final Inspection

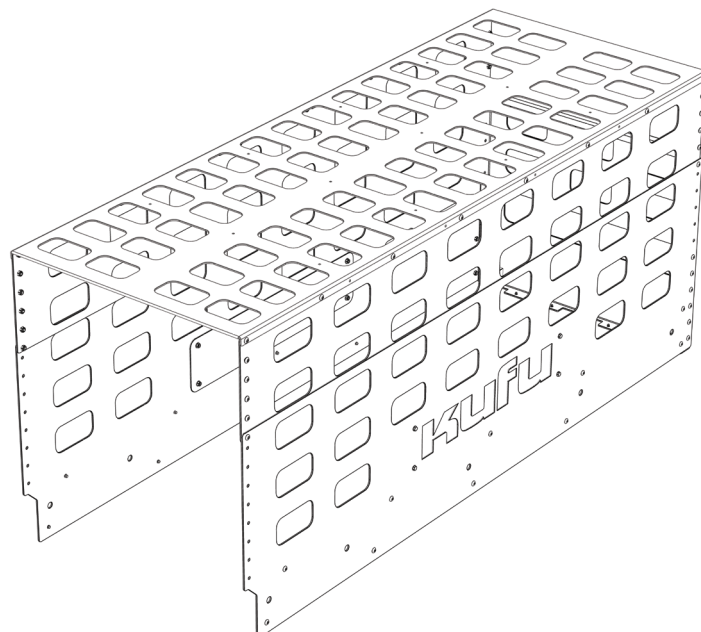
1. Confirm all fasteners are installed and tightened.
2. Verify both side outer panels are set to the same height.
3. Ensure the End Cap Cargo Cage is securely fixed at the rear of the slide.
4. Check slide operation for smooth movement and no interference.

Height Variations

- **460 Configuration**
Lower Panel: Base fixed position
Upper Panel: Mounted at low slot



- **625 Configuration**
Lower Panel: Base fixed position
Upper Panel: Mounted at upper slot



KUFU Drawer System

Designed and developed in Australia.
Australia Owned Certified #08416.

www.umhauer.com.au/kufu
sales@umhauer.com.au

Umhauer Products Australia
Rear of 153 Ash Road
Leopold VIC 3224 Australia

Design Registrations

AU 202110927, 202110924, 202110925, 202110926

EU 008654297-0001, 008654297-0002, 008654297-0003, 008654297-0004

UK 6175068, 6175069, 6175070, 6175071

Patents Pending

AU 2022201080, 2022201079

US 17/677,178

Patents

US 12,286,080, US D1,039,470 S, US D1,032,485 S, US D1,032,484 S, US D1,032,486 S

EU 4046872, 4063195