



# Installation Manual

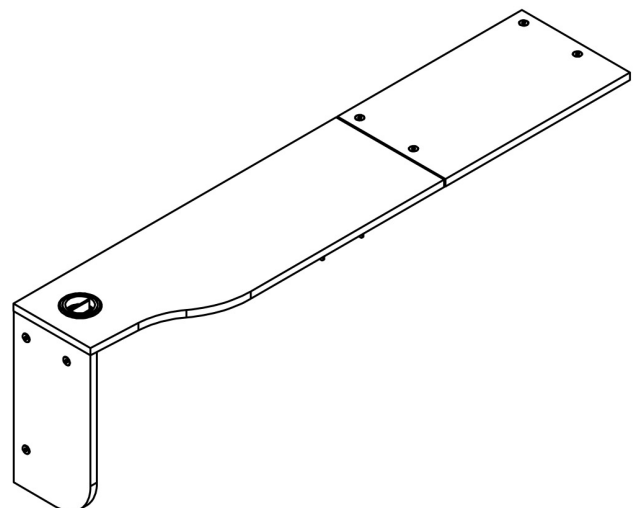
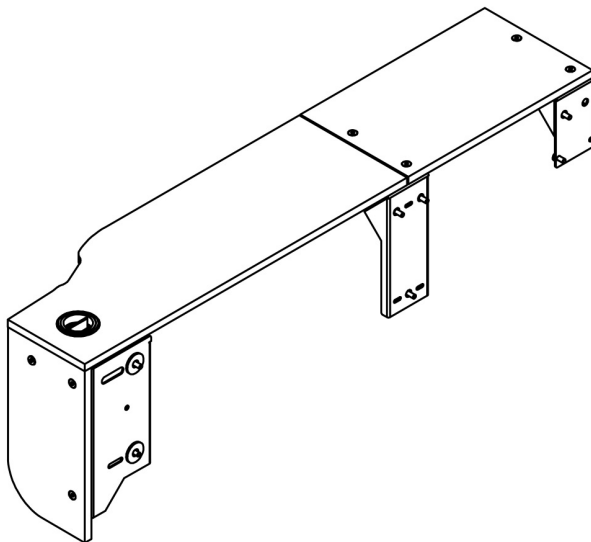
---

## Wing Kits

Version: 03

SUITABLE FOR:

- KUFU Drawer System PREMIUM Drawers
- KUFU Drawer System ECONO Drawers



***Important Information:***

- This Installation Instruction Guide is for the accurate, safe and secure attachment of Wing Kits to a KUFU Drawer.
- This install guide shows a 950 KUFU Wing Kit installed to a 280 x 950 KUFU Drawer.
- This installation shows the LC200 Variation of KUFU Wing Kit, your Wing Kit may be slightly different to suit your vehicle make and model.
- Wing Kit Assemblies will vary between Vehicle Make and Model variants.
- While every attempt has been made to match the Wing Kit design to the make and model, however vehicle variations often vary significantly between models.
- The plywood material of the KUFU Wing kit can be trimmed to suit any variation of the vehicle.
- Get in touch with us if you need a larger panel to customise your installation, simply refer to the panel name in your enquiry.
- Open all kits to check that all parts are present.
- Follow all assembly steps in this Instruction Manual.
- DO NOT skip steps.
- DO NOT leave out fastener components from the installation steps.
- DO NOT over tighten any fasteners.
- It is recommended to review the vehicle and crosscheck before making any modifications.
- Check to avoid damaging critical vehicle components within and beneath the vehicle.
- Always review the installation to ensure parts and assemblies are flat and aligned where possible.
- It is recommended to inform the insurance provider for the vehicle of any modifications and additions or accessories added to the vehicle, these may affect the ability to make claims depending on the level and or type of cover.

**STEP 1 - Installation Preparation:**

- Install KUFU Mounting Platforms and Drawers into the vehicle first.
- Always assemble Wing Kits to KUFU Drawers within the vehicle.

**STEP 2 - Tools Required:**

- Hex Drive or Allen Key Set
- Socket Set or Spanner Set

**STEP 3 - Components:**

**Wing Kit Bracket Set A, B154**

Part Name	Quantity
Wing Kit LHS Face, B158	1
Wing Kit, RHS Face, B159	1
Wing Kit, Mid Bracket - UNI, B160	2
Wing Kit, Back Bracket - UNI, B161	2
Quarter Turn Latch, Plastic Set of parts, for Quick Release Wing Kit Panel, Dark Grey	2
M6 x 1.00p x 16mm A2-70 G304 CSK Hex Drive DIN 7991	14
M6 x 1.00p x 20mm A2-70 G304 CSK Hex Drive DIN 7991	8
M10 x 30 x 2.5mm 304 FLAT WASHERS ECONO Front bracket Spacers	4
8g (4.20mm) x 3/8" (9 mm) Pan Phillips (PH2) Self Tapping Screw Black Zinc ANSI B18.6.4	6

**Wing Kit Bracket Set B, B155**

Part Name	Quantity
Wing Kit, Mid Bracket - UNI, B160	2
M6 x 1.00p x 16mm A2-70 G304 CSK Hex Drive DIN 7991	6
M6 x 1.00p x 20mm A2-70 G304 CSK Hex Drive DIN 7991	4
M10 x 30 x 2.5mm 304 FLAT WASHERS ECONO Bracket Spacers	6

**Wing Kit ECONO Fasteners**

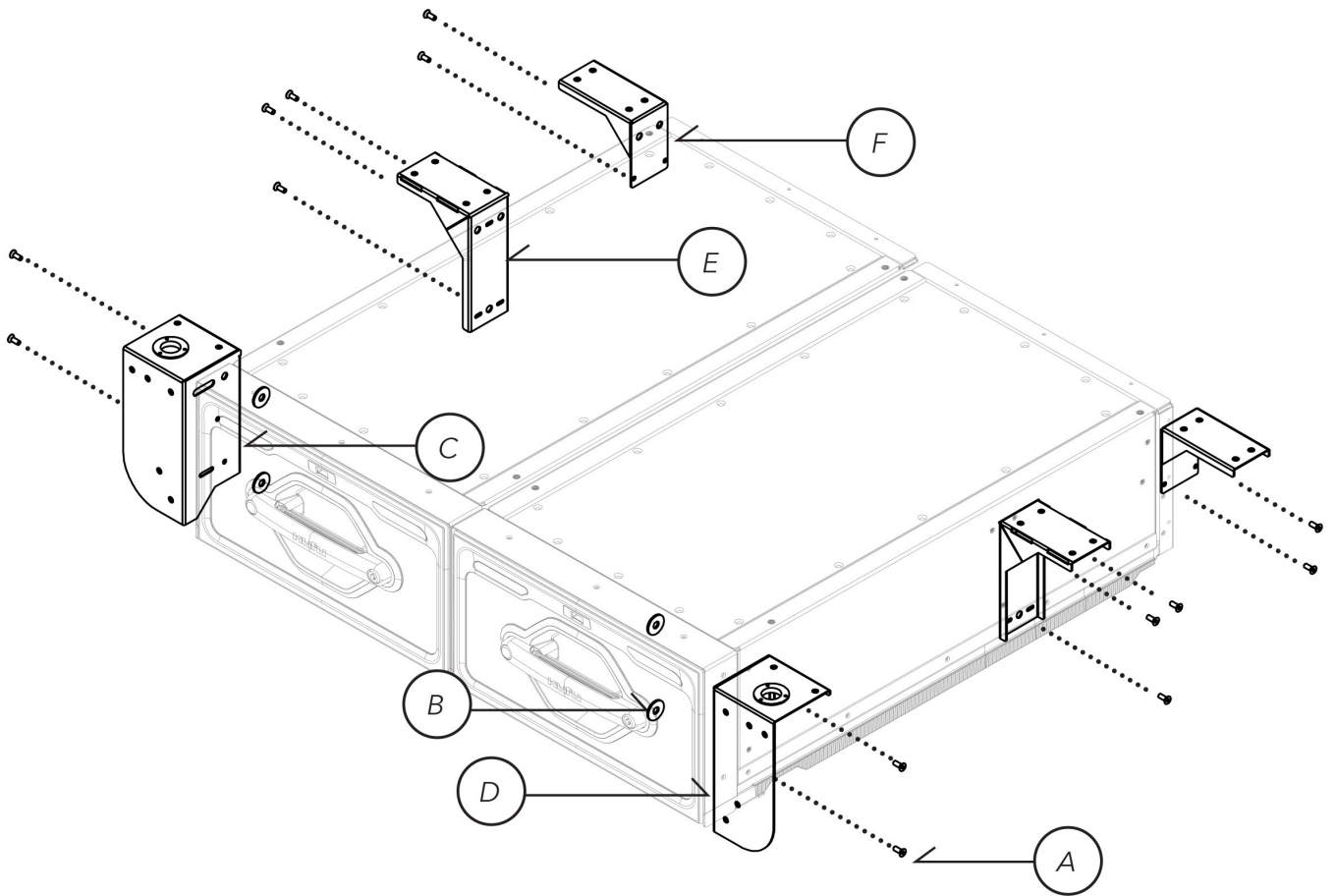
Part Name	Quantity
M6 x 1.00p x 12mm A2-70 G304 CSK Hex Drive DIN 7991	14
M10 x 30 x 2.5mm 304 FLAT WASHERS ECONO Front bracket Spacers	4

**Wing Kit PREMIUM Fasteners Mk1 Pack A, B0161**

Part Name	Quantity
M8 Channel Stud	8
M8 x 16mm_Btn Hd_Hex_SS304_ISO 7380	8
M8 Washer_Spring_SS304_HEC127B	8
M4 x 12mm CSK Hex Drive Grade10.9 ZN	4
M10 x 21 x 1.2 Flat Round Washer A2 / 304 SS	24
M8 x 16 x 1.6 Flat Round Washer SS304	8

**Wing Kit PREMIUM Fasteners Mk1 Pack B, B0162**

Part Name	Quantity
M8 Channel Stud	4
M8 x 16mm_Btn Hd_Hex_SS304_ISO 7380	4
M10 Washer_Spring_SS304_HEC127B	4
M10 x 21 x 1.2 Flat Round Washer A2 / 304 SS	8
M8 x 16 x 1.6 Flat Round Washer SS304	4

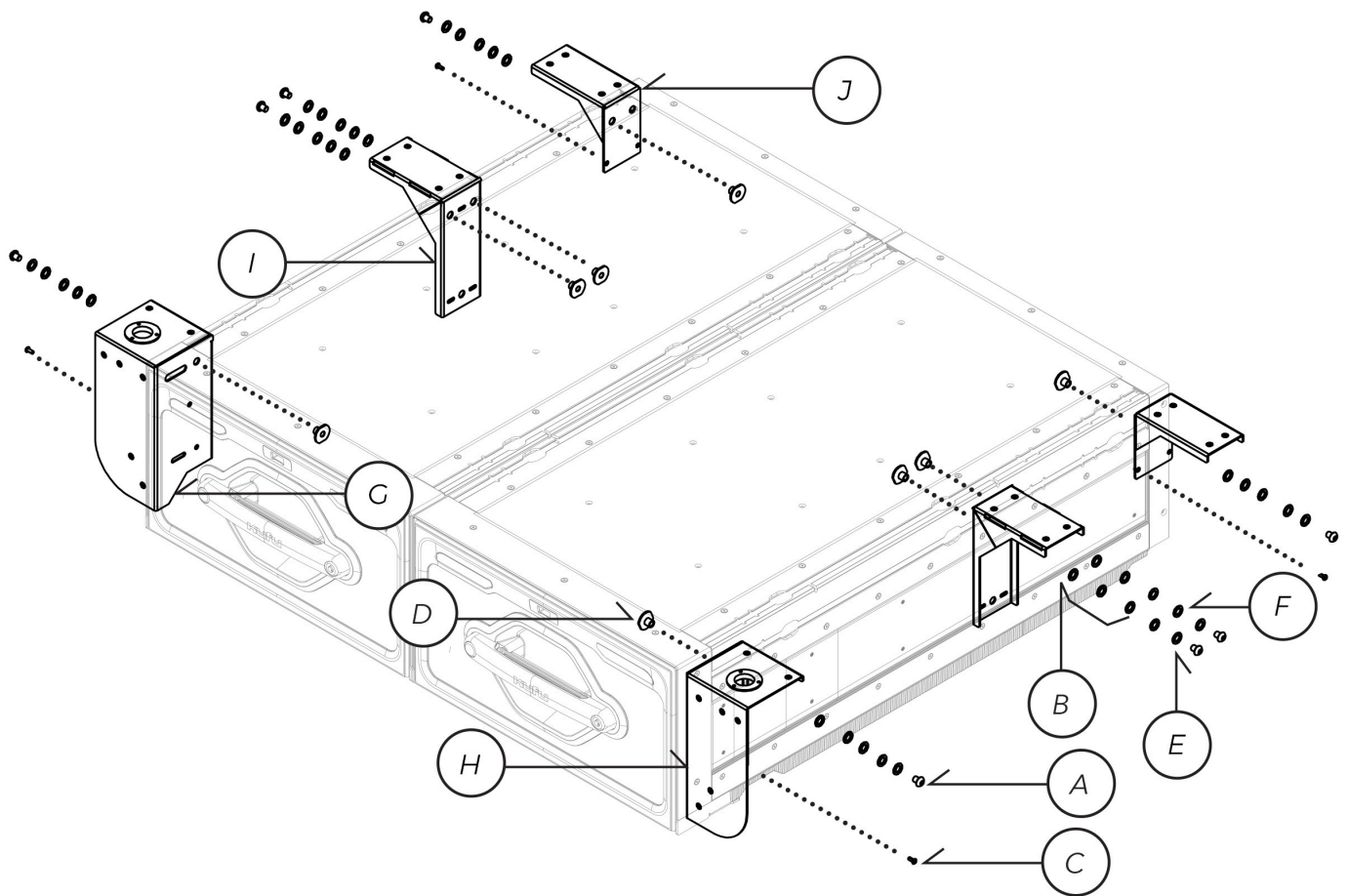


**STEP 4 - ECONO Wing Kit Bracket Assembly:**

- Securely Assemble the Wing Kit Brackets to the ECONO Drawer

Part Name	Quantity	Item
M6 x 1.00p x 16mm A2-70 G304 CSK Hex Drive DIN 7991	14	A
M10 x 30 x 2.5mm 304 FLAT WASHERS ECONO Front bracket Spacers	4	B
Wing Kit LHS Face, B158	1	C
Wing Kit, RHS Face, B159	1	D
Wing Kit, Mid Bracket - UNI, B160	2	E
Wing Kit, Back Bracket - UNI, B161	2	F

- NOTE: Washer, Item B, to be positioned on the outside surface of the ECONO Drawer to ensure Brackets are parallel to the outer face of the ECONO Drawer.

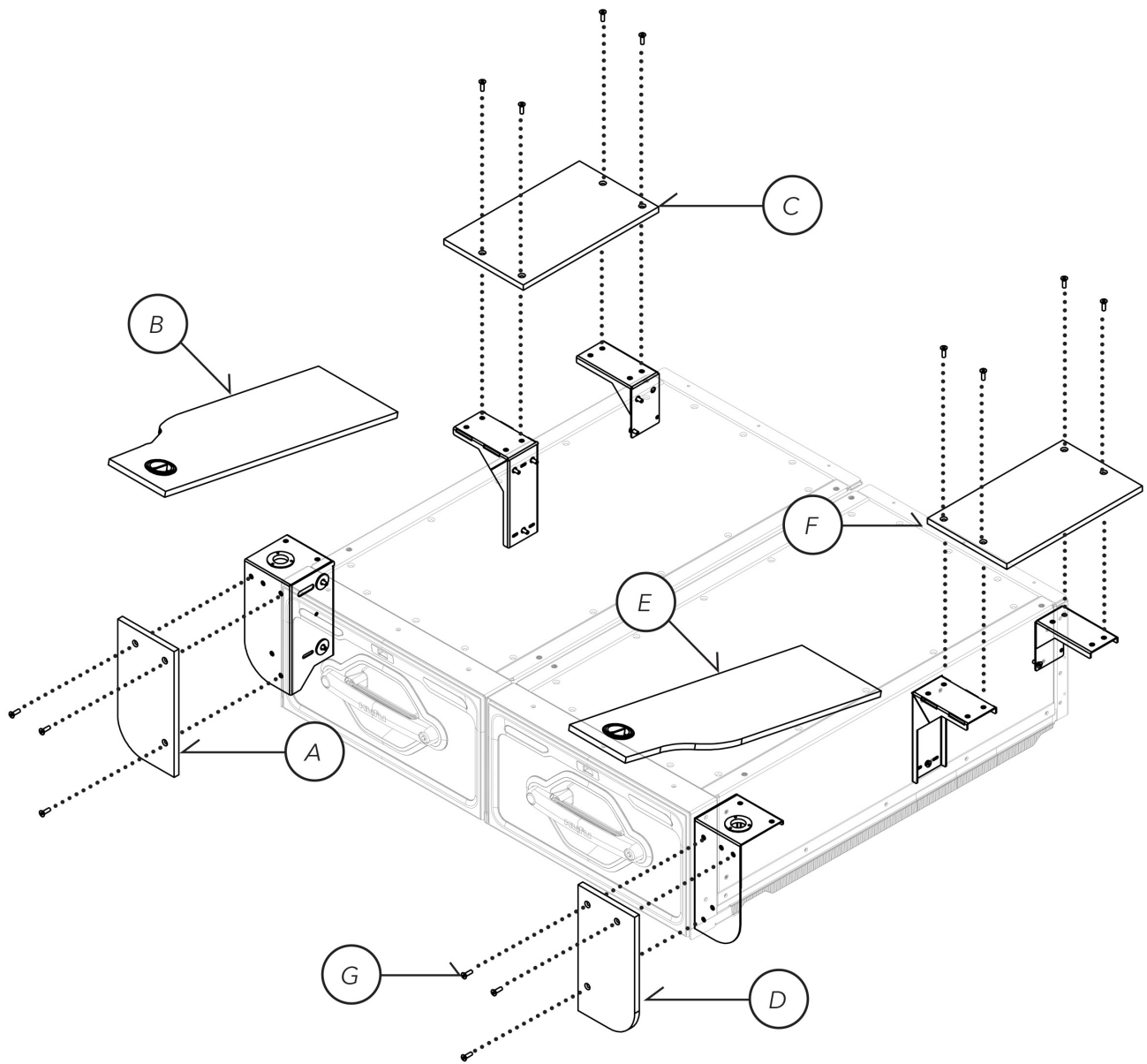


#### **STEP 4 - PREMIUM Wing Kit Bracket Assembly:**

- Securely Assemble the Wing Kit Brackets to the PREMIUM Drawer

Part Name	Quantity	Item
M8 x 16mm SS304 BTN	8	A
M10 Flat Washer SS304	16	B
M4 x 12mm CSK Hex Drive Grade10.9 ZN	4	C
L-Track Nut M8	8	D
M8 Spring Washer SS304	8	E
M8 x 16 x 1.6 Flat Washer SS304	8	F
486 Wing Kit LHS Face	1	G
506 Wing Kit RHS Face	1	H
487 Wing Kit Mid Bracket	2	I
488 Wing Kit Back Bracket	2	J

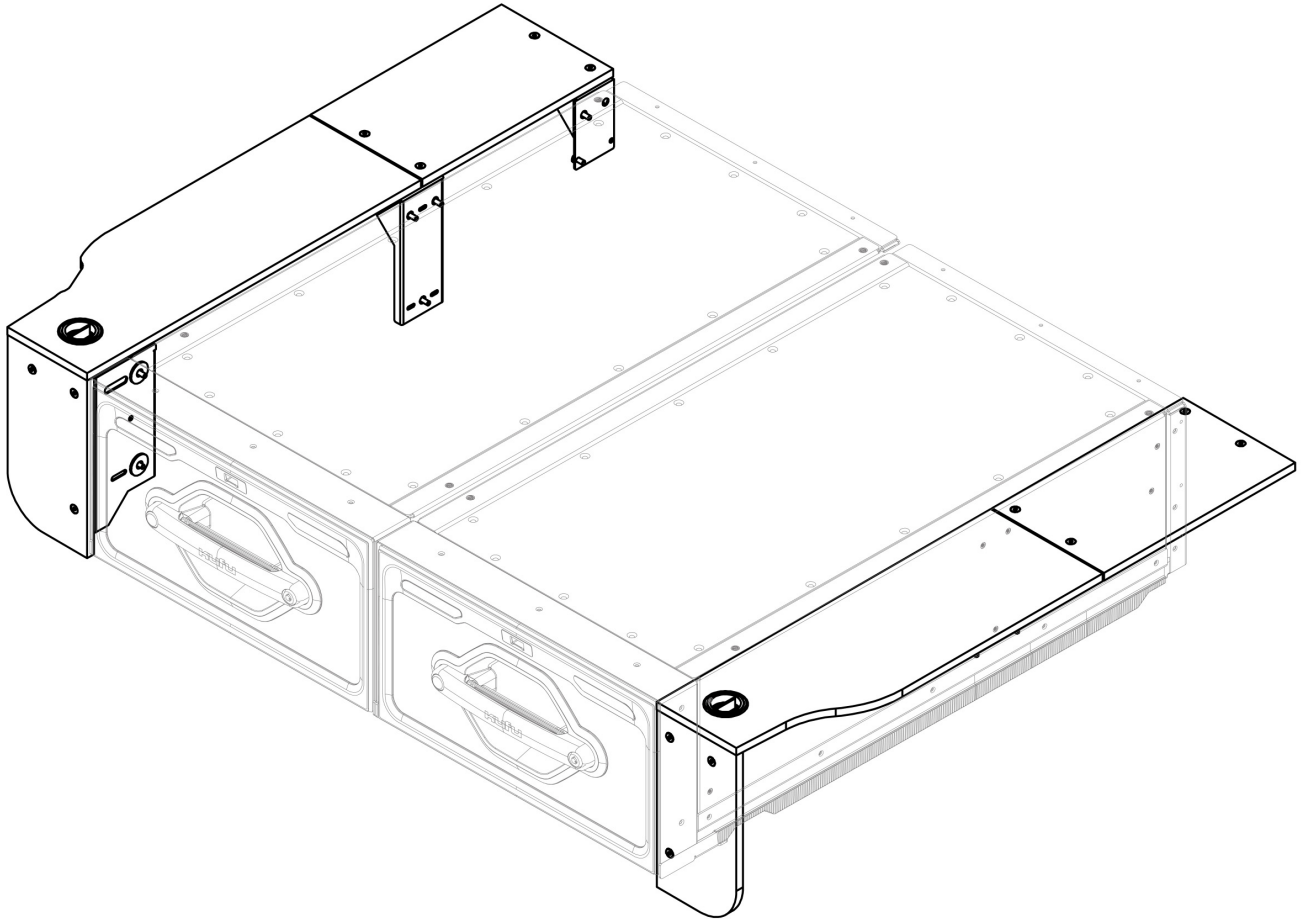
- NOTE: M10 x 21 x 1.2 Flat Washers, Item B, stack 3x over the L-Track Nut M8 and 1 x M8 x 16 x 1.6 Flat round washer SS304 and 1 x M10 Washer Spring SS304.
- NOTE: Each L-Track Nut M8, Item D, is pre-assembled into the side L-Track of the Premium Drawer Rails. Ensure the L-Track is free of dust and dirt or debris, to allow smooth travel of the Nut.



**STEP 5 - Wing Kit Panel Assembly:**

- Securely Assemble the Wing Kit Panels to the Brackets

Part Name	Quantity	Item
512 Wing Kit Front Panel LHS_(Make /Model)	1	A
490 Wing Kit Front LHS Top Panel_950_(Make /Model)	1	B
492 Wing Kit Back Panel LHS 950_(Make /Model)	1	C
514 Wing Kit Front Panel RHS_(Make /Model)	1	D
513 Wing Kit Front RHS Top Panel_(Make /Model)	1	E
492 Wing Kit Back Panel LHS 950_(Make /Model)	1	F
M6 x 20mm SS304 CSK	14	G

***NOTE - Wing Kit Assembly:***

- Wing Kit Assemblies will vary between Vehicle Make and Model variants.
- While every attempt has been made to match the Wing Kit design to the vehicle make and model please note that vehicle variations often vary significantly between models.
- The plywood material of the KUFU Wing kit can be trimmed to suit any variation of the vehicle.
- Get in touch with us if you need a larger panel to customise your installation, simply refer to the Panel name and let us know.



## **KUFU Drawer System**

Designed and developed in Australia.  
Australia Owned Certified #08416.

[www.umhauer.com.au/kufu](http://www.umhauer.com.au/kufu)  
[sales@umhauer.com.au](mailto:sales@umhauer.com.au)

Umhauer Products Australia  
Rear of 153 Ash Road  
Leopold VIC 3224 Australia

### **Design Registrations**

AU 202110927, 202110924, 202110925, 202110926  
EU 008654297-0001, 008654297-0002, 008654297-0003, 008654297-0004  
UK 6175068, 6175069, 6175070, 6175071

### **Patents Pending**

AU 2022201080, 2022201079  
US 17/677,178

### **Patents**

US 12,286,080, US D1,039,470 S, US D1,032,485 S, US D1,032,484 S, US D1,032,486 S  
EU 4046872, 4063195

**JULY 2025**