



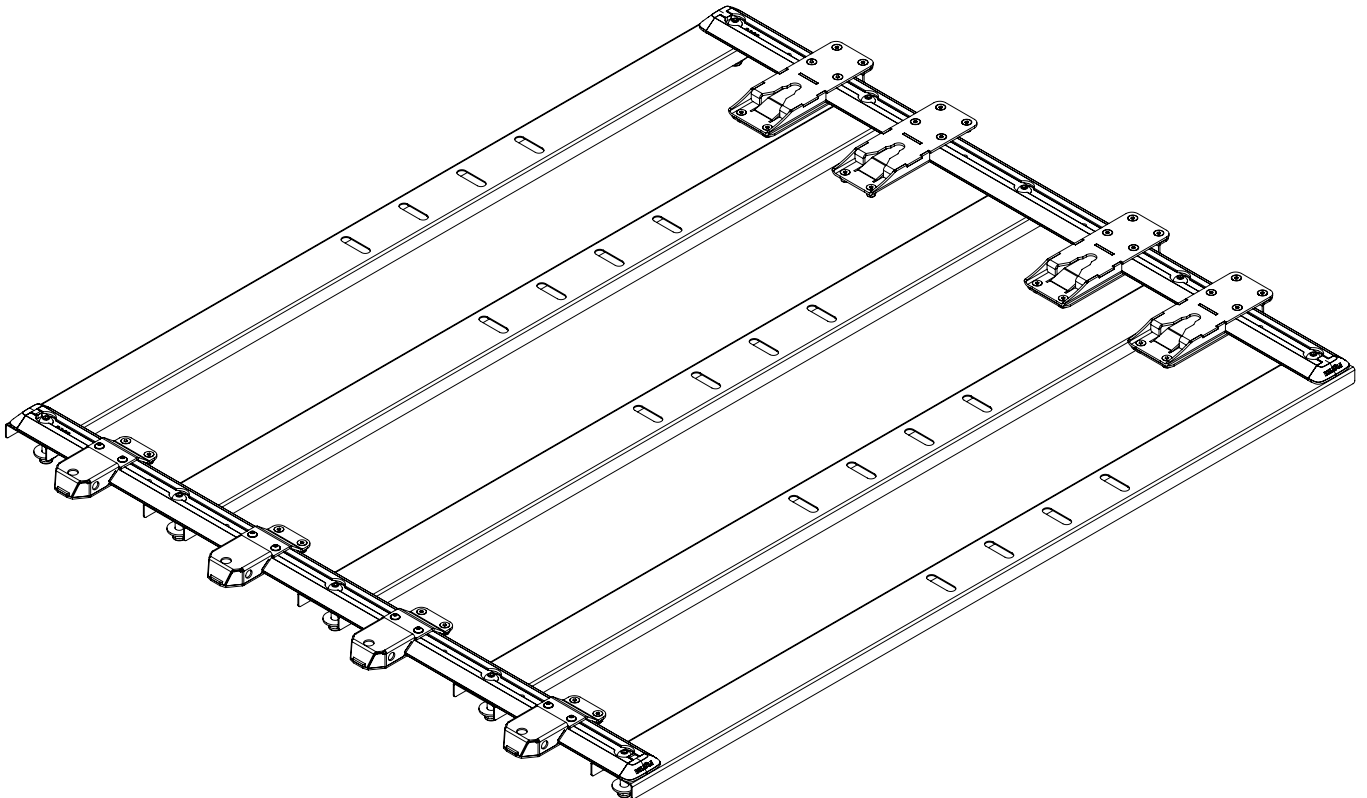
# Generic Installation Manual and Drawer Measurement Guide

---

## Type A and Type MC Mounting Platform with Catch-and-Click™ Brackets

### APPLICABLE VEHICLES:

- **Ute Beds**
- **Tubs**
- **Tray and Canopy**



**Important Information:**

- This Generic Installation Manual and Drawer Measurement Guide is for the safe and secure attachment of the Type A and Type MC Mounting Platform and Catch-and-Click™ Brackets to the vehicle Ute beds, Tubs and Tray and Canopy.
- Open all kits to check that all parts are present.
- Follow all assembly steps in this Instruction Manual.
- Do not skip steps.
- Do not leave out any fastener components from the installation steps.
- It is recommended to review the vehicle and crosscheck before making any modifications. Check to avoid damaging critical vehicle components beneath the ute tub bed before drilling pilot holes or larger through holes.
- Aftermarket tub-liners can vary significantly between vehicles of the same model. The KUFU Mounting Platform should be securely attached to the steel floor of the ute tub. Removing some of the tub liner material allows space needed to raise and level the Mounting Platform above different liner profiles. Follow this manual to remove the tub-liner around the bolt locations to allow for a level and safe installation.
- Use Spacer Disc parts provided to create a level installation.
- Tub-liners and roller-covers can remain in the Ute tub. However, please check to ensure the KUFU Drawer System to-be installed is suitable and will not interfere with these types of accessories.

**For example:**

280mm and 460mm height drawers and any spacer discs required will interfere with some roller-covers. Please double check the available Ute bed height before proceeding with the installation.

Mounting platform heights with no spacer disc:

- Type A = 23mm
- Type MC = 15mm

Roll Top storage box clearance for 280mm x 1400mm drawer = Type A MP 23mm + Spacer discs 30mm + Drawer height 280mm = 333mm

- Depending on the tub and clearances required – spacer discs maybe required, which will increase the overall drawer height.
- Some ute tubs have different supporting channels beneath the tub floor, these run laterally across the tub. If the pilot holes and subsequent through holes are positioned ontop of these channel areas, longer bolts and crush tubes may be required to support the tightening of fasteners to secure the Mounting Platform without crushing the channel of the ute tub.
- It is recommended to inform the insurance provider for the vehicle of any modifications additions or accessories added to the vehicle, these may effect the ability to make claims depending on the level and or type of cover.
- The KUFU Drawer System and associated Mounting Platforms and Bracket Parts are designed for repeated use. However wear and tear will occur due to the nature of different materials in the assemblies and installations.

**Measurement Guide:****Hand Measurement of Truck Tubs, Tray and Canopy, for KUFU Drawer System installation feasibility.**

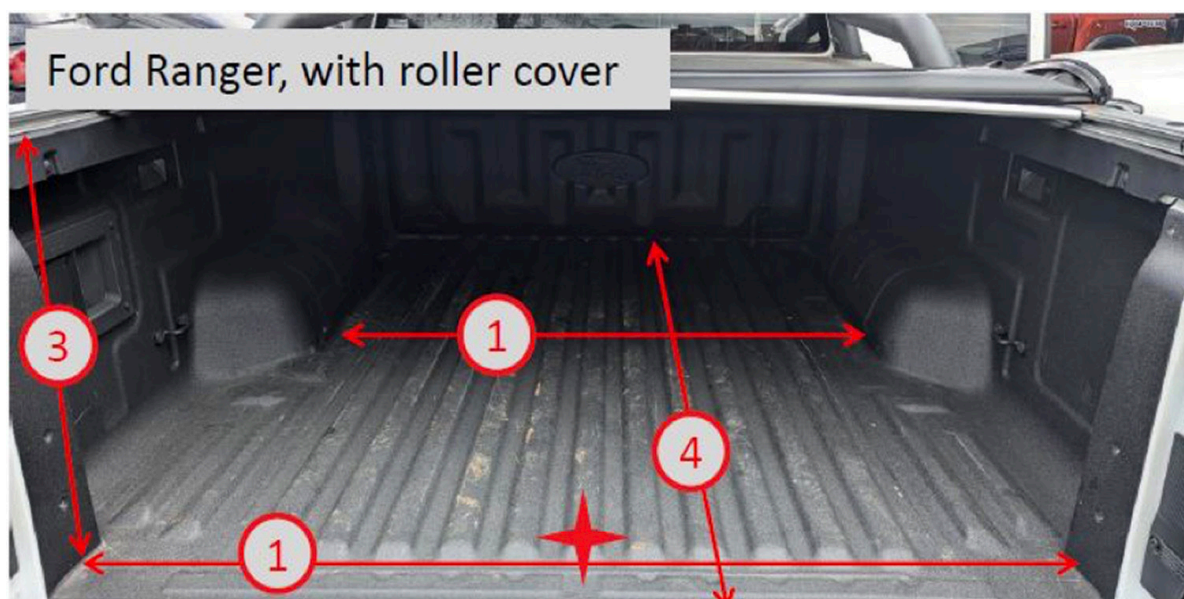
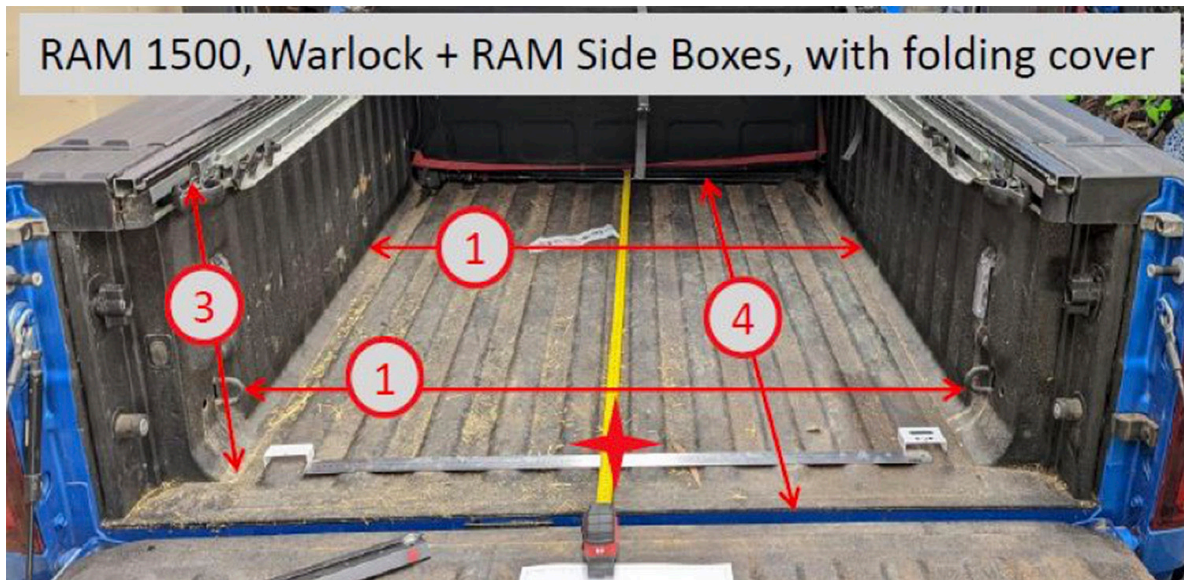
Measure the minimum internal width of the tailgate and between the wheel arch, takenote of both and whatever the smaller distance is...

**STEP 1**

The Drawer System, set of x 2 side by side is 1020mm (needs 50mm extra for clearance).

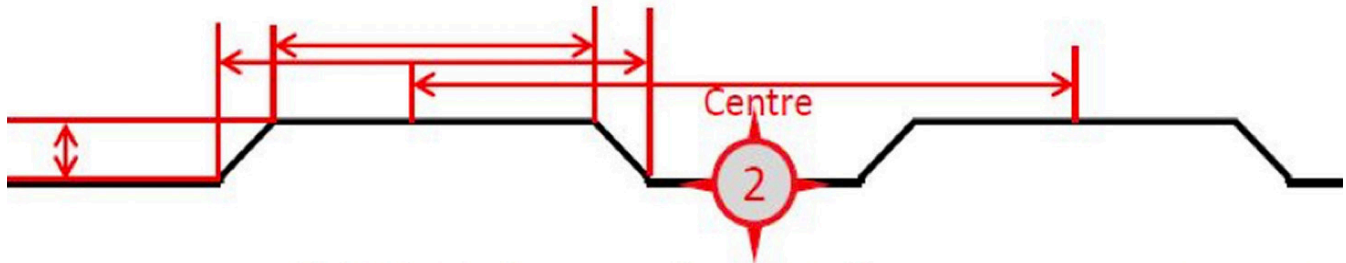
**STEP 2**

Note the difference in the 2 example images: the RAM 1500 with RAM Boxes, has less width than the Ford Ranger image below despite being the larger truck.



**STEP 3**

Measure the corrugations or hill & valley detail with several dimensions to average out for any hand measurement errors. Take note, which is the centre of the vehicle, either a hill or a valley.

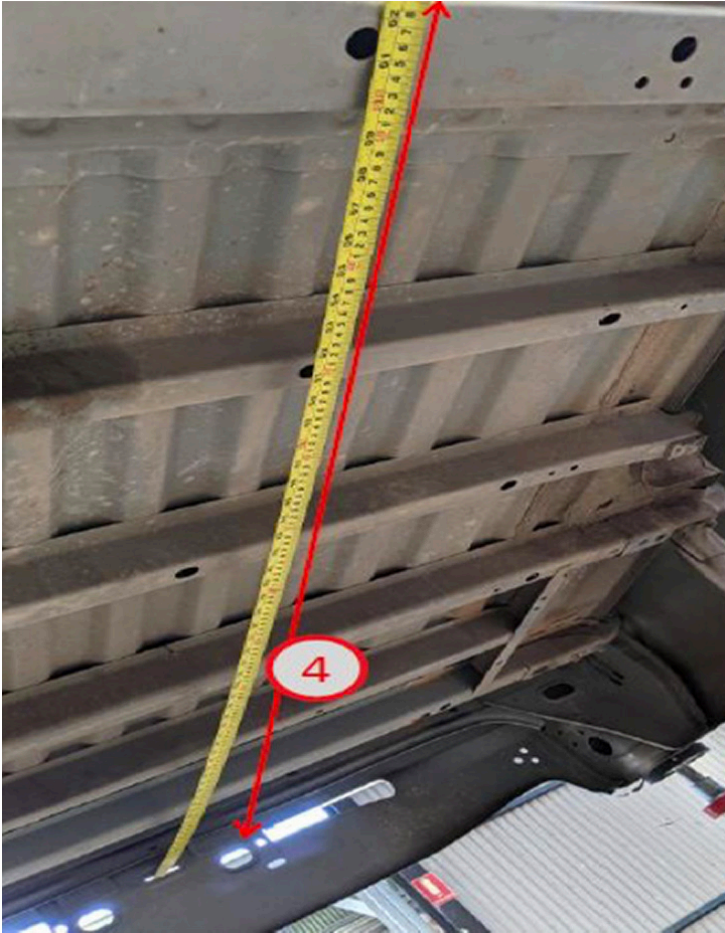


The tallest drawer is 460mm plus any mounting platform beneath, between 15mm - 40mm extra height

**STEP 4 - Use the tailgate edge to measure**

- A. The length of the bed or tub to the back wall nearest the cabin.
- B. The Internal face of the tailgate when closed, the feature that protrudes into the truck bed the furthest.
- C. Any channel or rail underneath the truck bed
- D. Detail each channel or rail if they differ See the next page

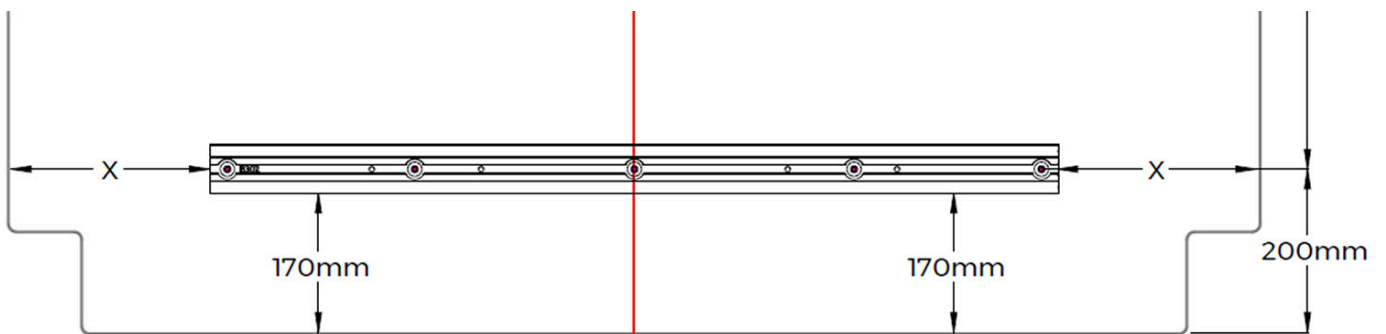
Use the tailgate edge to measure the:  
Any channel or rail underneath the truck bed



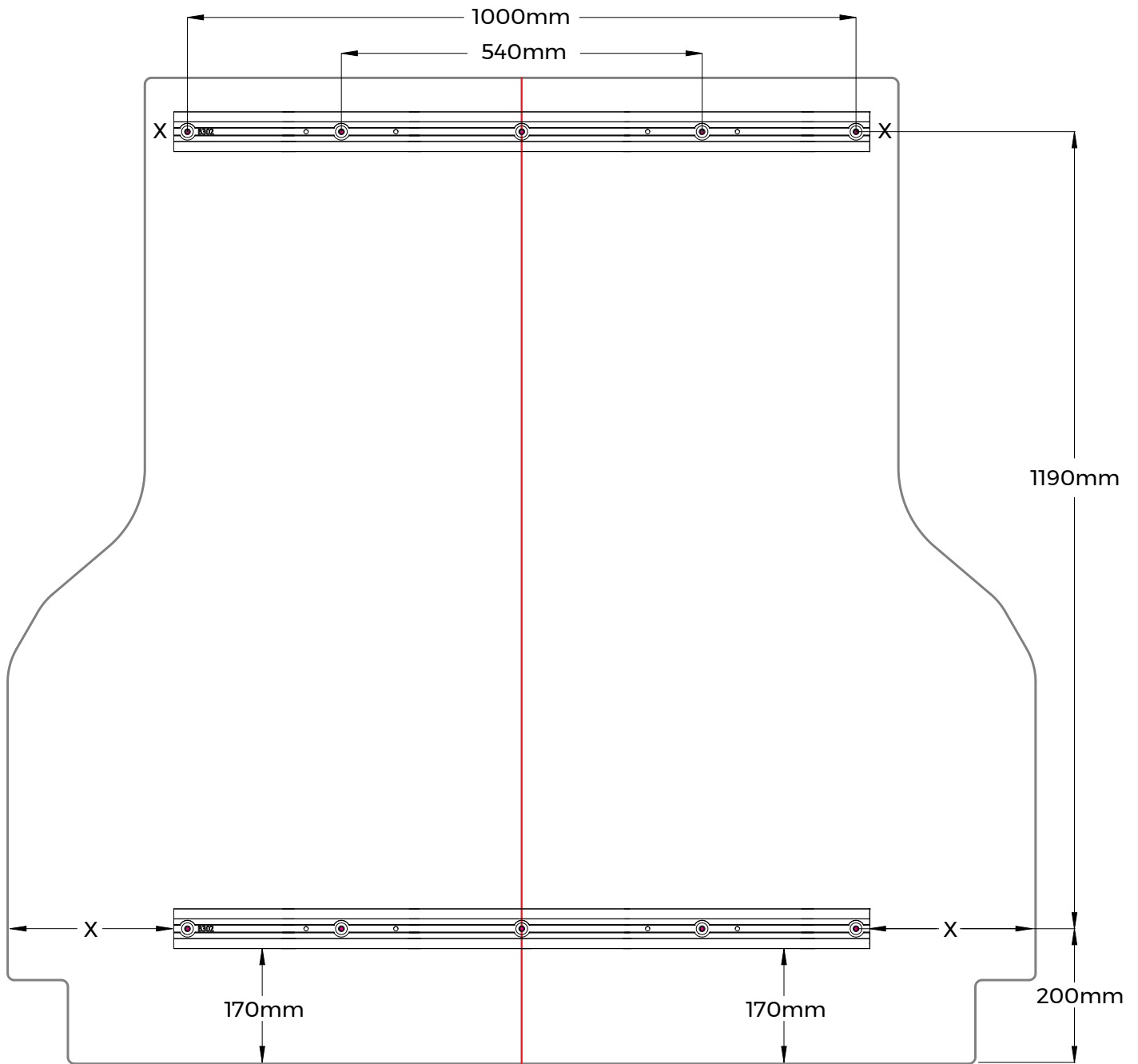
**CRITICAL MEASUREMENTS:**

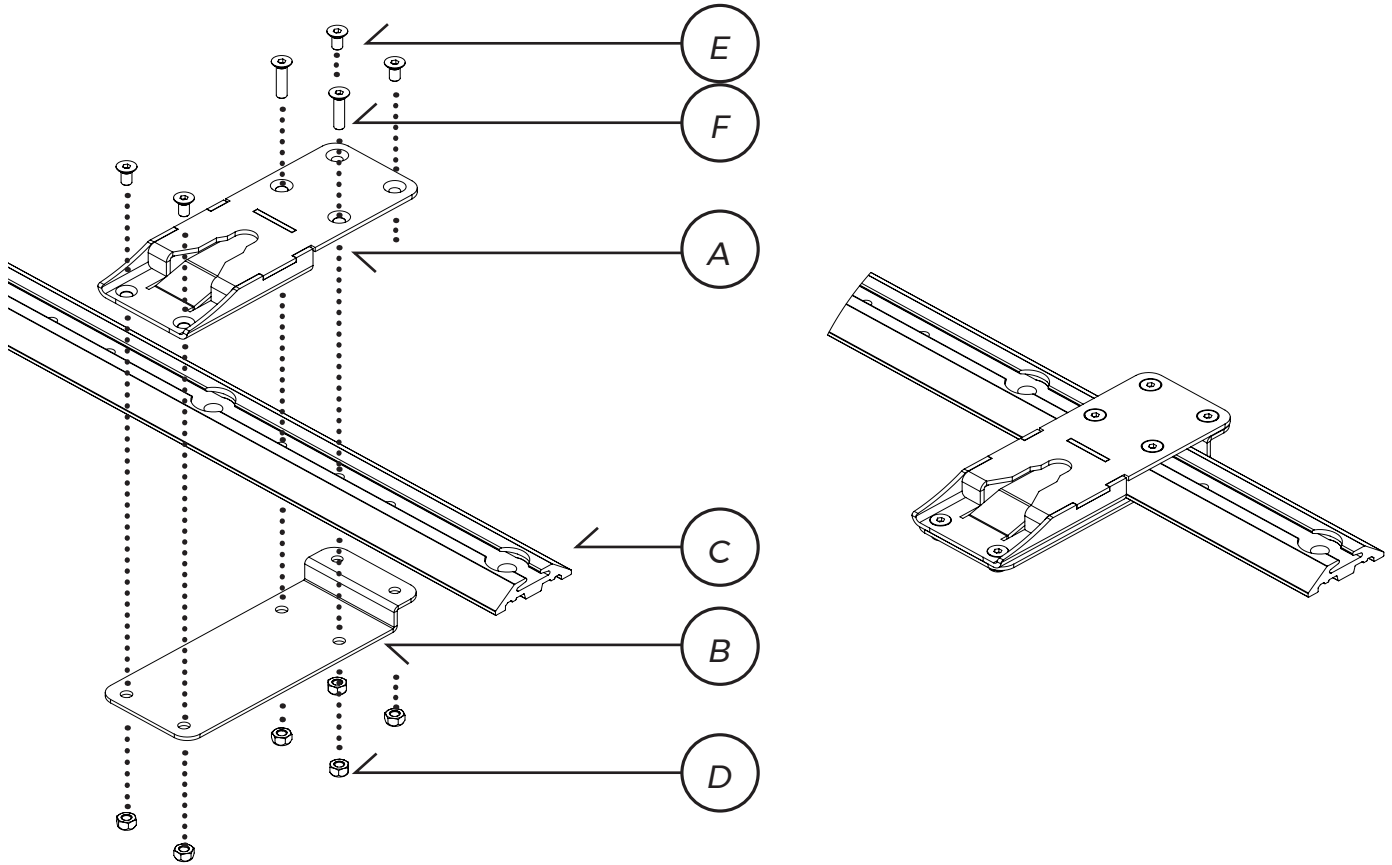
Clearance - Drawer Handle

A minimum distance of 170mm is required from the front edge of the mounting rail to the tail gate.



Mounting Rail for 1400mm long drawers requires 1190mm between centre to centre of cross car aluminium rails for Catch and Click™ brackets.





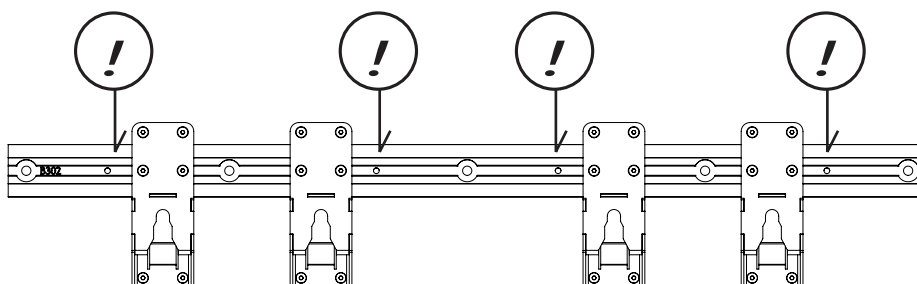
**STEP 5 - Catch Brackets Assembly:**

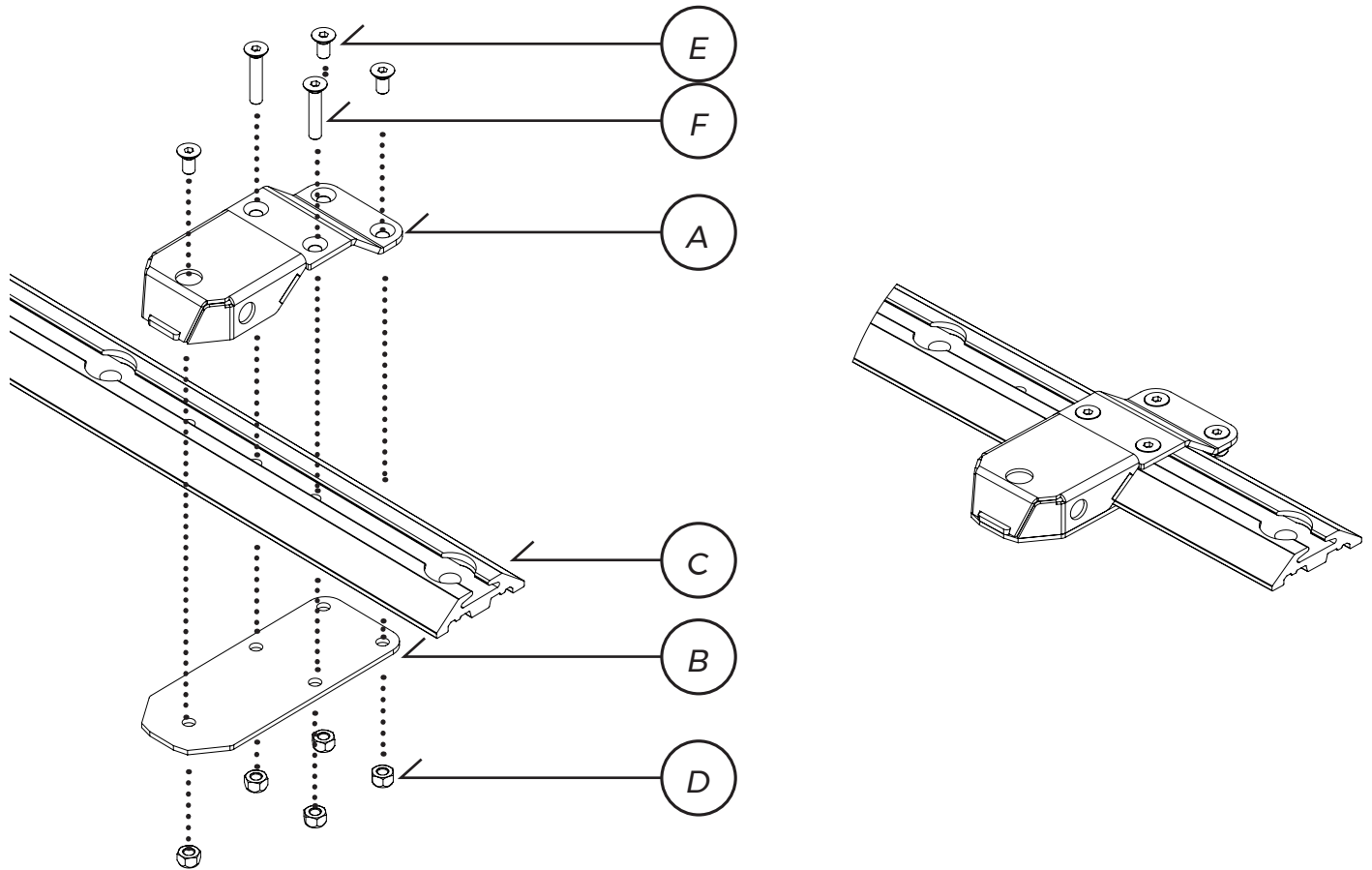
- Securely Assemble the Catch Brackets to the B302 Rail
- Catch Bracket, Single Assembly shown above in exploded view.

Part Name	Quantity	Item
Catch Bracket, Upper	1	A
Catch Bracket, Lower	1	B
B302 Rail	1	C
M6 Nut Conelock High Tensile Class 10 ZN DIN980	6	D
M6 x 12 CTSK High Tensile 12.9 ZN BK DIN7991	4	E
M6 x 30 CTSK High Tensile 12.9 ZN BK DIN7991	2	F

- Check and ensure all brackets are 90degrees to the rail.
- Tighten the Catch Bracket Assembly in all positions shown below. Use hand tools to securely tighten all fasteners.

**NOTE:** The Catch Brackets use 2 of 3 holes along the rail in each position, note the remaining holes as a guide of the Catch Bracket positions.





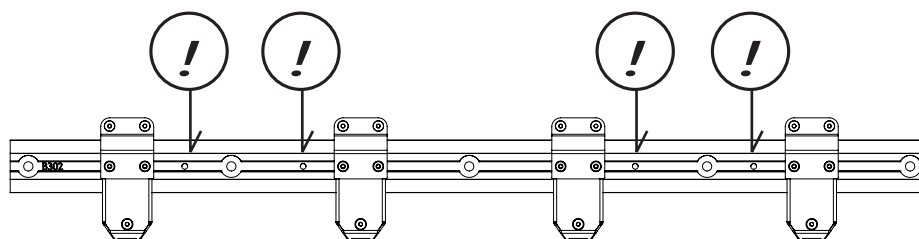
**STEP 6 - Click Brackets Assembly:**

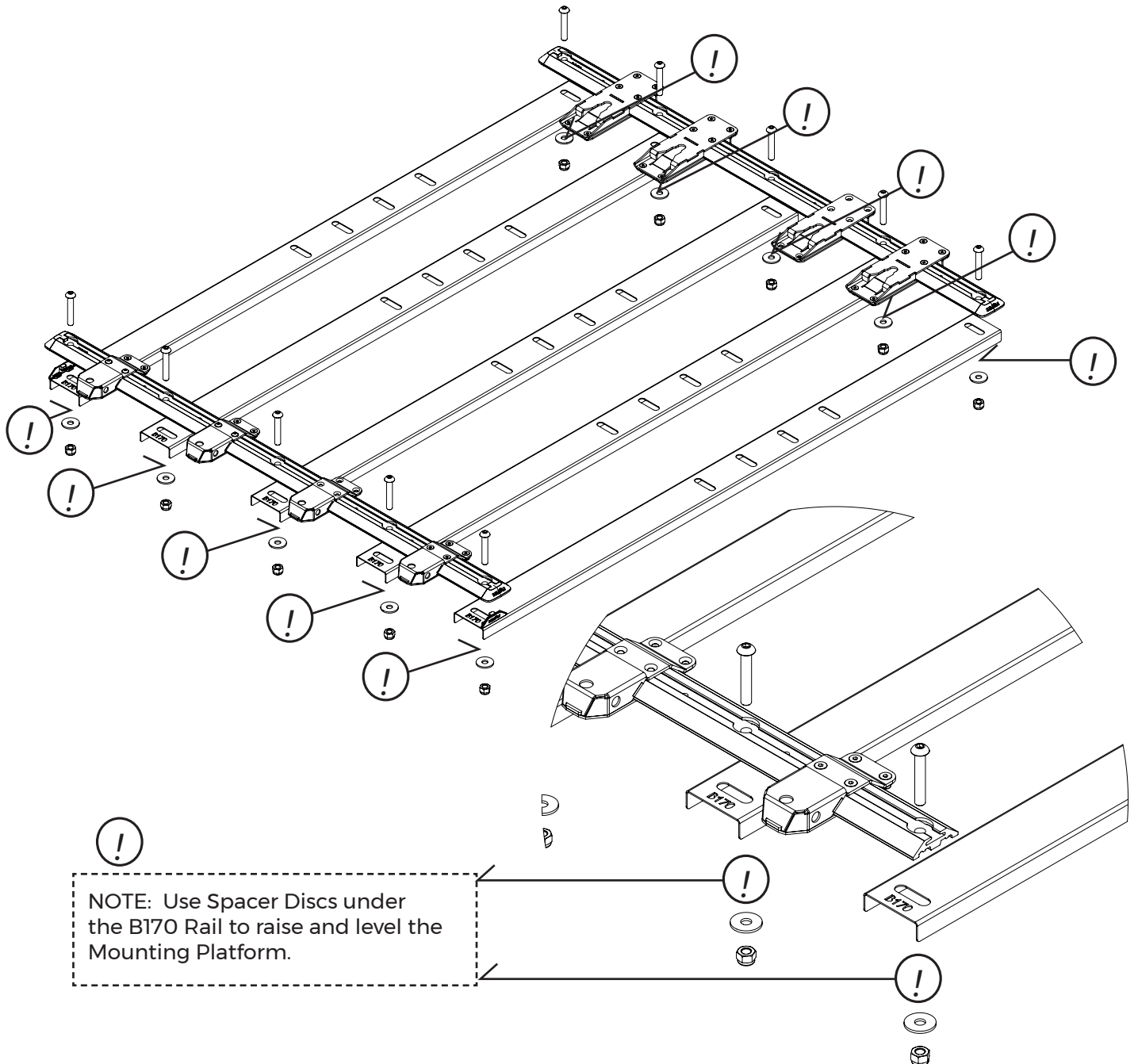
- Securely Assemble the Click Brackets to the B302 Rail
- Catch Bracket, Single Assembly shown above in exploded view.

Part Name	Quantity	Item
Click Bracket, Upper	1	A
Click Bracket, Lower	1	B
B302 Rail	1	C
M6 Nut Conelock High Tensile Class 10 ZN DIN980	5	D
M6 x 12 CTSK High Tensile 12.9 ZN BK DIN7991	3	E
M6 x 30 CTSK High Tensile 12.9 ZN BK DIN7991	2	F

- Check and ensure all brackets are 90degrees to the rail.
- Tighten the Click Bracket Assembly in all positions shown below. Use hand tools to securely tighten all fasteners.

**NOTE:** The Click Brackets use 2 of 3 holes along the rail in each position, note the remaining holes as a guide of the Click Bracket positions.





**STEP 7 -**

**Secure the 1400 Mounting Platform to the Ute Tub or Tray / Canopy floor:**

- Position the Click Brackets and Rail assembly above the tailgate end.
- Locate the position with 5x M10 Bolts into the 10mm through holes.
- Position the Catch Brackets and Rail assembly above the cabin or forward end.
- Locate the position with 5x M10 Bolts into the 10mm through holes.
- Use Spacer Discs under the Rails to level the Mounting Platform.

**NOTE:** 10 of M10 X 60mm 12.9 Grade Hex bolts supplied - due to varying mounting situations, longer bolts may need to be sourced locally - A total of 10 x Grade 12.9 Recommended, minimum 8.8 Grade required for ADR Compliance.

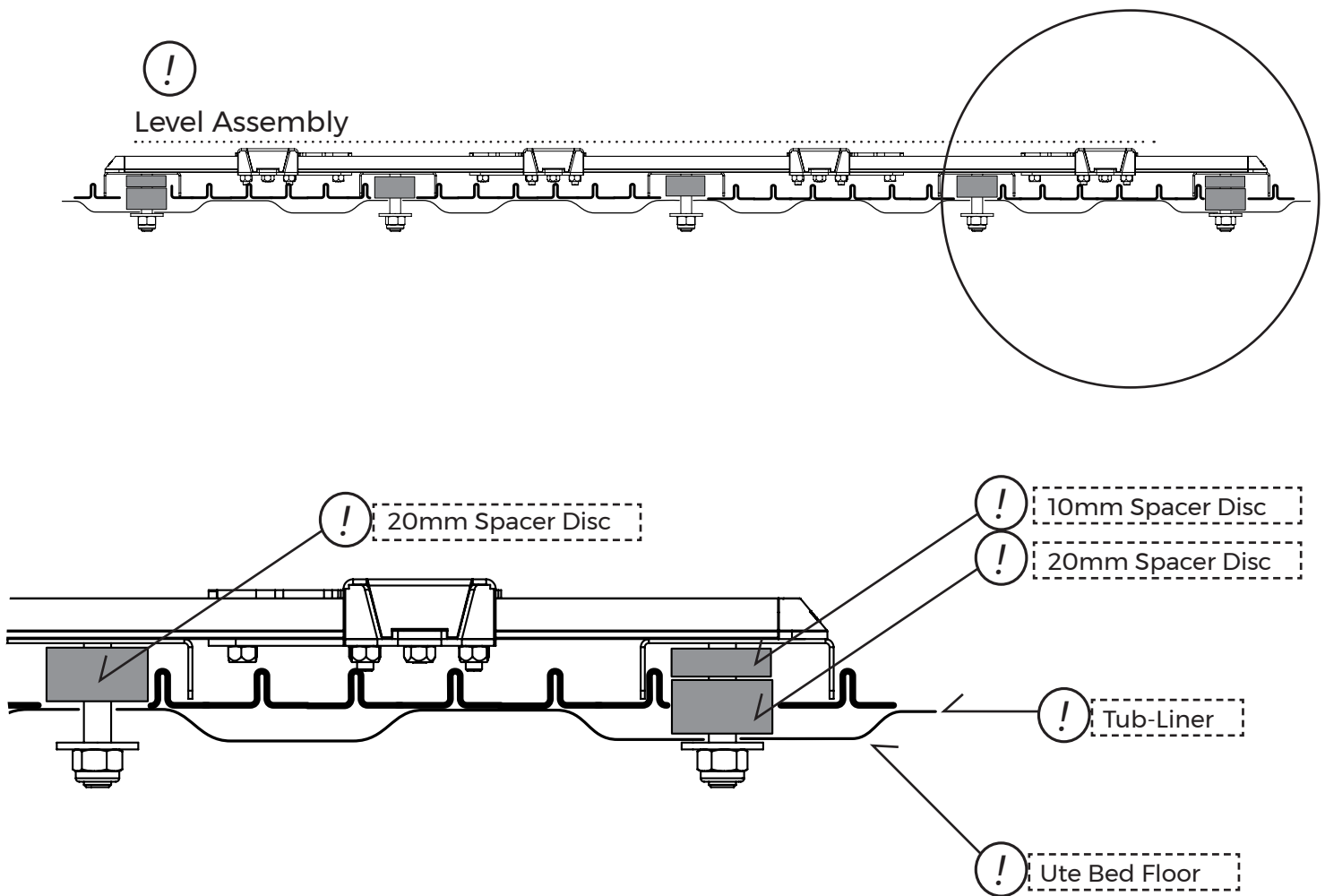
**STEP 8 - Check the Level :**

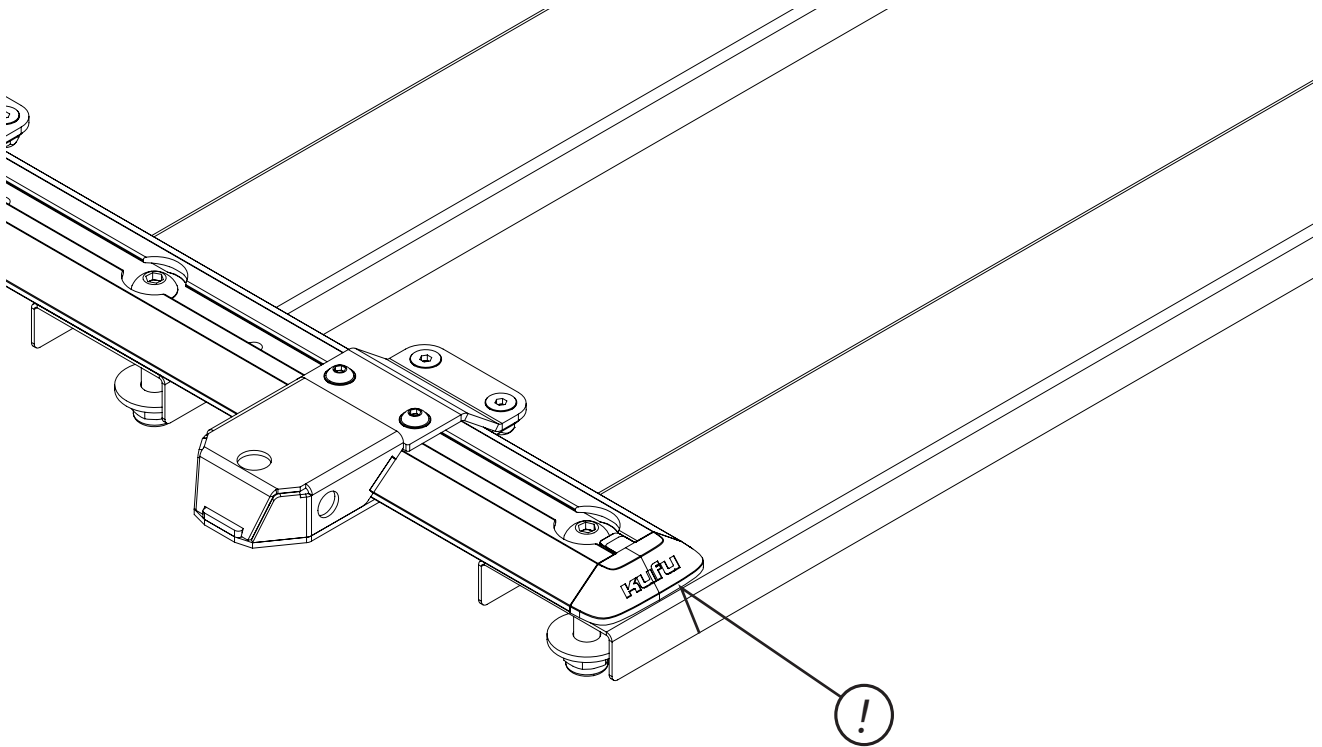
- Ensure the Catch Rail Assembly and Click Rail Assembly are level across the floor of the vehicle.



**NOTE:** Some bolt down positions may require extra-stacked Spacer Discs to make the assembly level. See Example Cross Section View below.

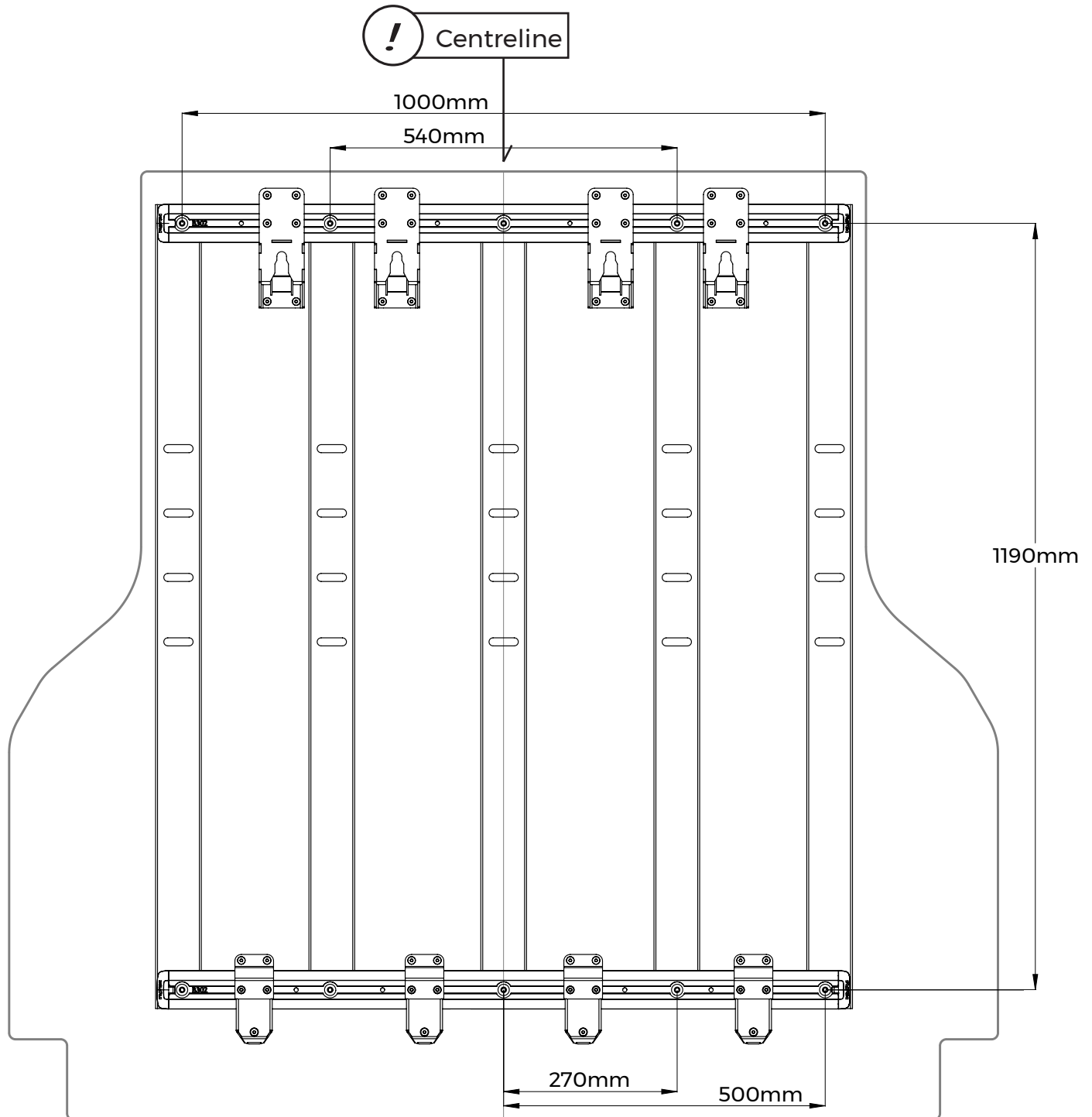
**NOTE:** If you find a variance that requires a smaller size spacer, than the supplied 10mm and 20mm Spacers, the spacers are easily cut with a hacksaw or you can adjust with M10 x 30mm washers, due to variations and in some cases tub floor damage, it is necessary to source washers or modify spacers.





**STEP 9 - Assemble End Caps:**

- Assemble the End Caps x4 positions.



**STEP 10 - Layout for Reference:**

- Above is a plan view layout of the finished assembly for reference.
- The assembly is shown in a vehicle ute / truck bed outline for reference.
- Note the centreline of the vehicle aligns with the centre of the 1400 Mounting Platform.
- There is additional space allowed at the tailgate of the ute bed for the installation of the drawer system and clearance for the closing tailgate OR Tray / Canopy side lip.

**Fastener Kit: IIG002182, B0233 - Type A)**

Part Name	Quantity
10mm Washer Large SS304 DIN 9021	10
M10 x 60 BtnHd Hex High Tensile Grade 10.9 ZN BK ISO7380	10
M10 Nut Torque SS304 DIN 985	10
Spacer Disc 30mm OD x 20mm BK	10
Spacer Disc 30mm OD x 10mm BK	10

**Fastener Kit: IIG002183, B0234 - Type C / MC**

Part Name	Quantity
10mm_Washer_Large_SS304_DIN 9021	10
M10 x 60 BtnHd Hex High Tensile Grade 10.9 ZN BK ISO7380	10
M10_Nut_Torque_SS304_DIN 985	10
Spacer Disc 30mm OD x 20mm BK	10
Spacer Disc 30mm OD x 10mm BK	10
M8 x 20mm BTN Bolt	4
M8 x Channel nut IIG00050, 201	4
M8 x Spring washer	4



## **KUFU Drawer System**

Designed and developed in Australia.  
Australia Owned Certified #08416.

[www.umhauer.com.au/kufu](http://www.umhauer.com.au/kufu)  
[sales@umhauer.com.au](mailto:sales@umhauer.com.au)

Umhauer Products Australia  
Rear of 153 Ash Road  
Leopold VIC 3224 Australia

### **Design Registrations**

AU 202110927, 202110924, 202110925, 202110926  
EU 008654297-0001, 008654297-0002, 008654297-0003, 008654297-0004  
UK 6175068, 6175069, 6175070, 6175071

### **Patents Pending**

AU 2022201080, 2022201079  
US 17/677,178

### **Patents**

US 12,286,080, US D1,039,470 S, US D1,032,485 S, US D1,032,484 S, US D1,032,486 S  
EU 4046872, 4063195

**SEPTEMBER 2025**